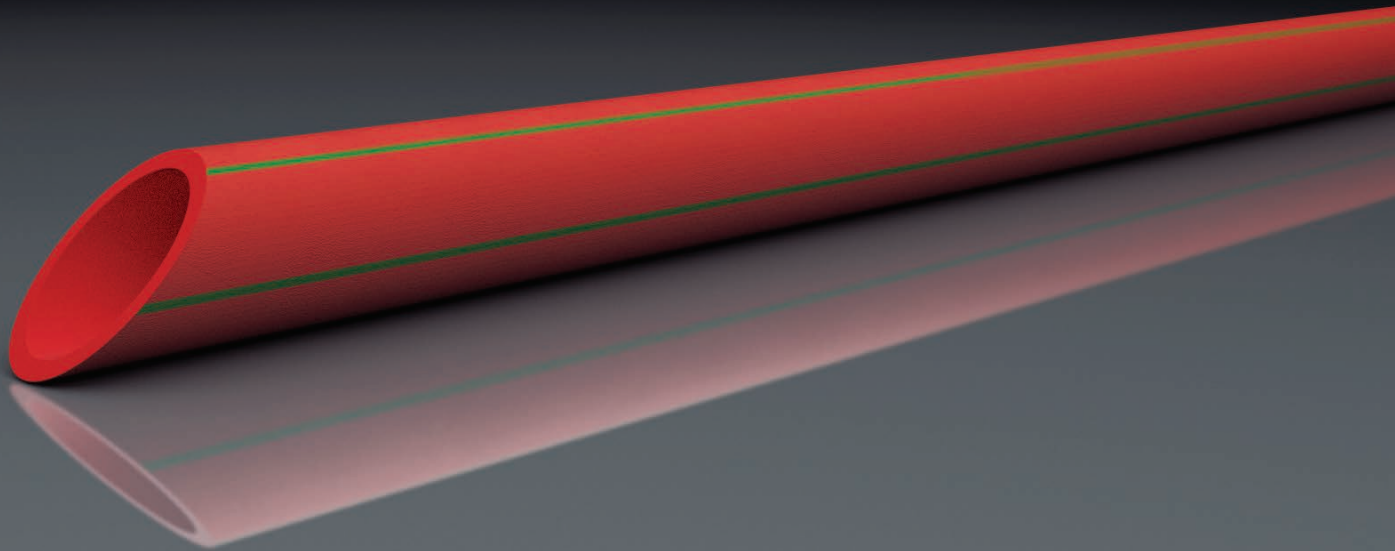


# Aquatherm Red Residential Sprinkler Pipe and Fittings



**Keeping the art of distribution simple**

## Aquatherm Red Residential Sprinkler Pipe and Fittings

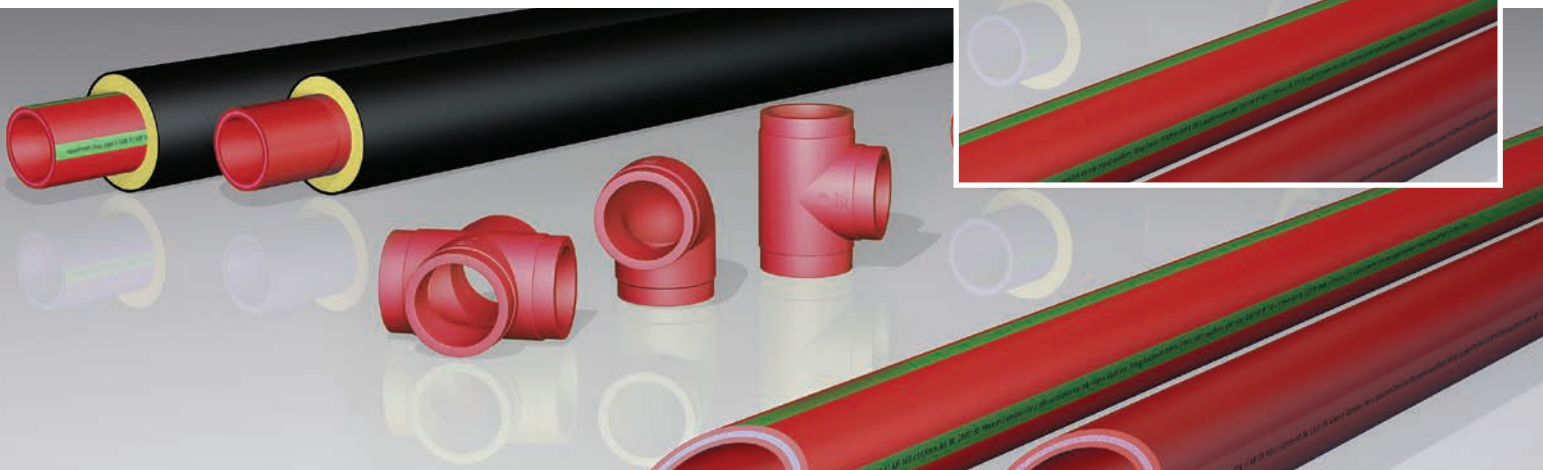
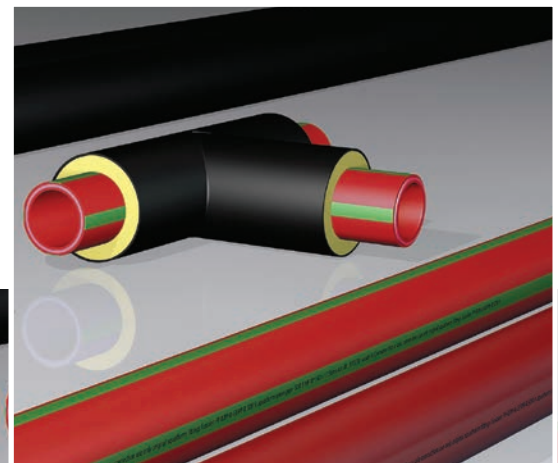
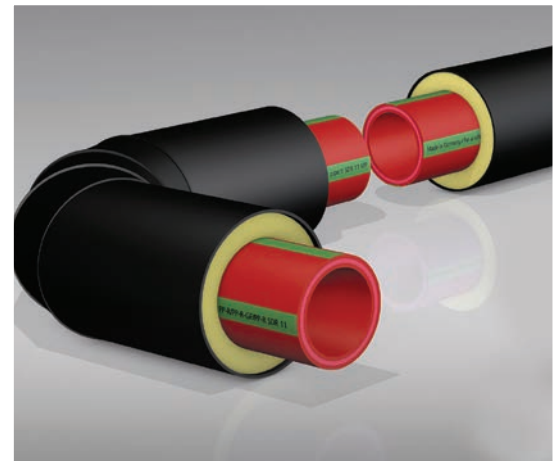
Aquatherm red pipe offers an extensive range of pipes and fittings for the installation of fire sprinkler systems.

The system is based on a fibre reinforced polypropylene pipe (faser composite pipe) produced in a multi-layer extrusion process.

The material fusiolen® PP-R FS, used for the pipe production, is a plastic whose properties are designed for the special demands of the fields of application.

Both, the installer's request for easier processing and the demand for maximum safety in later application was regarded during the development.

- **No sealants or adhesives**
- **A visible external weld bead**
- **Auditable joints – contractor/client/insurer**
- **No dry fitting – no bursts**
- **No clogging of sprinkler heads with adhesives/ sealants/corrosive material**
- **LPCB/FM/VDS Approved**
- **Fibre reinforced Polypropylene**
- **Multi-layer extrusion process**
- **Connected by fusion welding**



# Handling

## Transport and storage

Aquatherm red pipe-pipes can be stored in all outside temperatures. Pipes should be stored and transported flat and fully supported along their length. Bending pressures are to be avoided. High impact should be avoided at externally low temperatures.

Although aquatherm red pipe-pipes are extremely robust, it is recommended to treat the material always with care.

## UV resistance

Pipes from fusiolen® PP-R FS should not be installed (without protection) where subject to UV-radiation. All aquatherm red pipe-pipes and fittings are supplied in UV-protected packaging to bridge transport and assembly time. Ultraviolet rays have an influence on all high polymeric plastics. Hence, pipes should not be stored unprotected outside for a long time. The maximum storage time is (outside) 6 months.

## Fire bulkheading

All fire prevention systems which can prove equivalent licensing are suited for the aquatherm red pipe system.

## Procedures for additional repair

Cut out damaged / leaking section and replace as for a new installation or repair with pipe repair stick

## Chemical resistance

On account of the special material qualities aquatherm red pipe-pipes and fittings provide extensive chemical resistance. aquatherm red pipe-transition connections and elements with brass inserts are not suitable for all media. The compatibility should be asked at aquatherm with media deviating from water.

## Pipe friction loss

The pressure loss caused by friction is to be calculated hydraulically with the Hazen-Williams-formula.

The value to be used for C is 150, applicable for calculations of sprinkler installations and water supply.

## Equivalent lengths for the aquatherm red pipe sprinkler pipe system

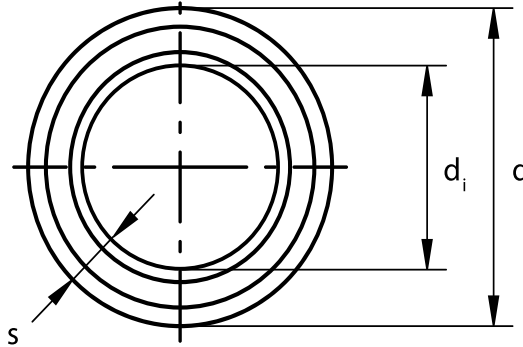
The equivalent lengths of transition pieces, threaded connexions and tees (flow direction: straight) can be edequated with the socket values.

Pipe Dimension										
Pipe series	SDR 7,4	SDR 7,4	SDR 7,4	SDR 7,4	SDR 7,4	SDR 7,4	SDR 7,4	SDR 7,4	SDR 7,4	SDR 11
Nominal diameter	DN15	DN20	DN25	DN32	DN40	DN50	DN65	DN80	DN90	DN125
Outer diameter aquatherm red pipe	25,0 mm	32,0 mm	40,0 mm	50,0 mm	63,0 mm	75,0 mm	90,0 mm	110,0 mm	125,0 mm	160,0 mm
Article	Equivalent pipe length in (m)									
Socket	0,22	0,30	0,40	0,52	0,70	0,86	1,07	1,36	1,58	2,44
Reduction of 1Dimension	0,27	0,37	0,48	0,63	0,83	1,03	1,28	1,63	1,90	2,93
Reduction of 2 Dimensions	0,36	0,49	0,64	0,84	1,11	1,37	1,71	2,17	2,53	3,91
Elbow < 90° - 45°	0,67	0,91	1,20	1,57	2,09	2,57	3,20	4,07	4,74	7,33
Elbow < 45°	0,33	0,46	0,60	0,78	1,04	1,28	1,60	2,03	2,37	3,66
Standard tee or cross flow direction branch	0,98	1,34	1,76	2,30	3,06	3,76	4,70	5,96	6,96	10,75

## Pipe

### Aquatherm red pipe Pipe SDR 7,4 / B1

**Material:** PP-R FS  
**Pipe series:** SDR 7,4  
**Packing Unit:** straight lengths 3m or 6m  
**Colour:** red/4 green stripes



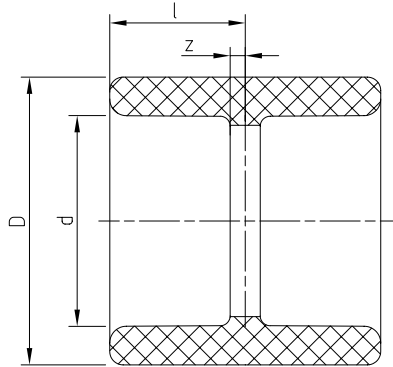
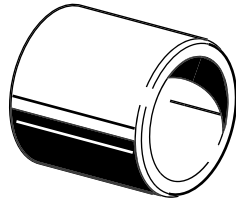
CODE	Dimension	DN	PU m/pc	Diameter d [mm]	Wall thickness s [mm]	Internal diameter di [mm]	Water content [l/m]	Weight [kg/m]
4170708	20 x 2,8 mm	10	120	20	2,8	14,4	0,152	0,158
4170710	25 x 3,5 mm	15	120	25	3,5	18	0,236	0,246
4170712	32 x 4,4 mm	20	60	32	4,4	23,2	0,379	0,394
4170714	40 x 5,5 mm	25	60	40	5,5	29	0,590	0,613
4170716	50 x 6,9 mm	32	30	50	6,9	36,2	0,919	0,955
4170718	63 x 8,6 mm	40	30	63	8,6	45,8	1,444	1,500
4170720	75 x 10,3 mm	50	18	75	10,3	54,4	2,054	2,135
4170722	90 x 12,3 mm	65	12	90	12,3	65,4	2,943	3,058
4170724	110 x 15,1 mm	80	6	110	15,1	79,8	4,403	4,576
4170726	125 x 17,1 mm	90	6	125	17,1	90,8	5,669	5,891

### Aquatherm red pipe pipe SDR 11 / B1

CODE	Dimension	dn	PU m/pc	Diameter d [mm]	Wall thickness s [mm]	Internal diameter di [mm]	Water content [l/m]	Weight [kg/m]
4170130	160x14,6 mm	125	6	160	14,6	130,8	15,792	4,360

## Fittings

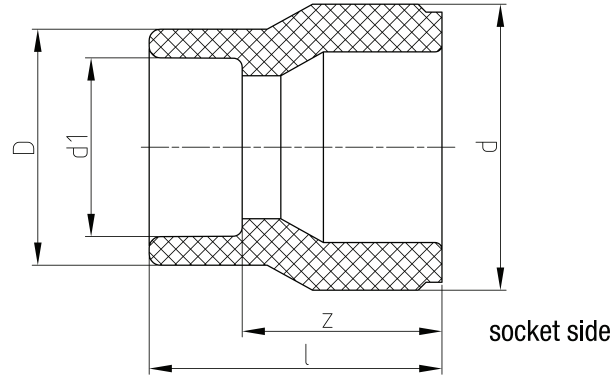
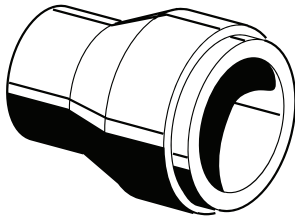
### Aquatherm red pipe socket / B1



CODE	Dimension	PU m/pc	Price m/pc	d	l	z	d	Weight [kg/m]
4111008	20 mm	10	1	20	16	1,5	29,5	0,011
4111010	25 mm	10	1	25	17,5	1,5	34	0,018
4111012	32 mm	5	1	32	20,3	2,3	43	0,027
4111014	40 mm	5	1	40	23,8	3,3	52	0,043
4111016	50 mm	5	1	50	26,5	3	68	0,087
4111018	63 mm	1	1	63	30,3	2,8	84	0,125
4111020	75 mm	1	1	75	36,3	3,3	100	0,208
4111022	90 mm	1	1	90	36,3	3,3	120	0,332
4111024	110 mm	1	1	110	41	4	147	0,592
4111026	125 mm	1	1	125	46	6	167	0,809

## Fittings

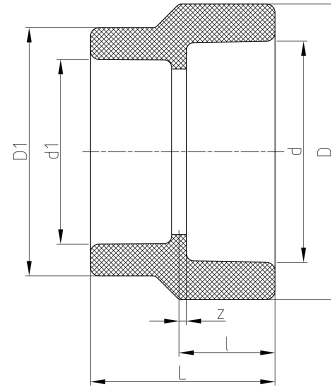
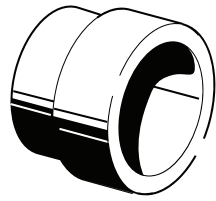
### Aquatherm red pipe Reducer B1



SDR	CODE	Dimension	PU m/pc	Price m/pc	d	d1	l	z	D	Weight
socket welding										
7,4	4111112	25/20 mm	10	1	25	20	38,5	24	29,5	0,013
	4111116	32/25 mm	5	1	32	25	38	22	34	0,021
	4111122	40/32 mm	5	1	40	32	50	32	43	0,035
	4111124	50/20 mm	5	1	50	20	55	40,5	29,5	0,044
	4111128	50/32 mm	5	1	50	32	54	36	43	0,052
	4111130	50/40 mm	5	1	50	40	53	32,5	52	0,057
	4111131	63/20 mm	1	1	63	20	65	50,5	29,5	0,074
	4111138	63/50 mm	1	1	63	50	63,5	40	68	0,116
	4111140	75/50 mm	1	1	75	50	63	39,5	68	0,109
	4111142	75/63 mm	1	1	75	63	71	43,5	84	0,131
	4111152	90/63 mm	1	1	90	63	78	50,5	84	0,244
	4111153	90/75 mm	1	1	90	75	81,5	51,5	100	0,288
	4111155	110/63 mm	1	1	110	63	86	58,5	84	0,349
	4111159	110/90 mm	1	1	110	90	99	66	120	0,531
4111163	125/90 mm	1	1	125	90	99	66	120	0,531	
4111165	125/110 mm	1	1	125	110	112	75	147	0,819	
butt welding										
11	4111175	160/110 mm	1	1	160	110	90	53	147	1,024
	4111177	160/125 mm	1	1	160	125	90	50	167	0,940

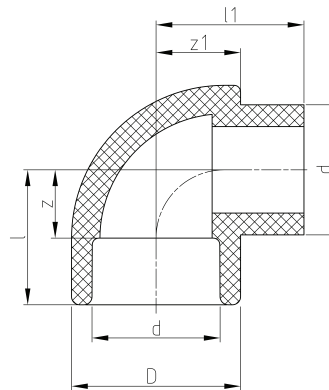
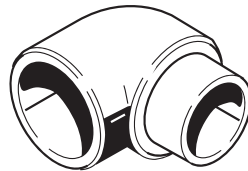
## Fittings

### Aquatherm red pipe Reducing socket / B1 female/female



CODE	Dimension	PU m/pc	Price m/pc	d	d1	L	l	z	D	D1	Weight
4111238	63/50 mm	1	1	63	50	56	30	2,5	84	68	0,117
4111242	75/63 mm	1	1	75	63	62,5	32,5	2,5	100	84	0,181
4111253	90/75 mm	1	1	90	75	69	36	3	120	100	0,297

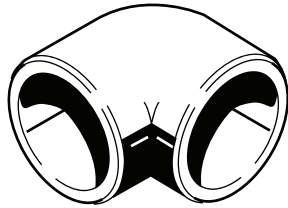
### Aquatherm red pipe Elbow 90°/ B1 female / male



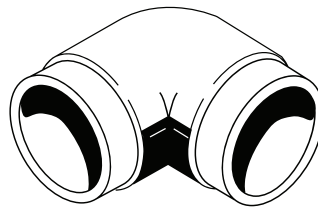
CODE	Dimension	PU m/pc	Price m/pc	d	z	l	D	l1	z1	Weight
4112308	20 mm f/m	10	1	20	11	25,5	29,5	25,5	14,75	0,018
4112310	25 mm f/m	10	1	25	13,5	29,5	34	29,5	17	0,025
4112312	32 mm f/m	5	1	32	17	35	43	39	21,5	0,041
4112314	40 mm f/m	5	1	40	21	41,5	52	45,5	26	0,071

## Fittings

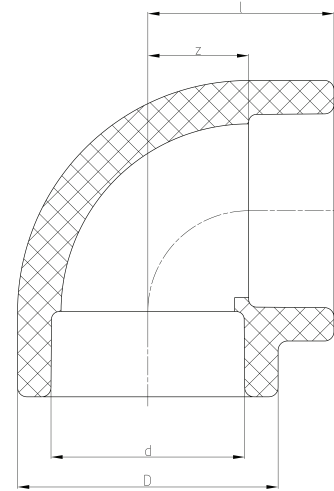
### Aquatherm red pipe Elbow 90°/ B1



4112108-4112126



4112131

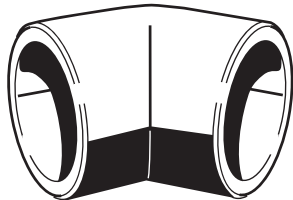


SDR	CODE	Dimension	PU m/pc	Price m/pc	d	z	l	D	Weight
	socket welding								
7,4	4112108	20 mm	10	1	20	11	25,5	29,5	0,018
	4112110	25 mm	10	1	25	13,5	29,5	34	0,025
	4112112	32 mm	5	1	32	17	35	43	0,041
	4112114	40 mm	5	1	40	21	41,5	52	0,071
	4112116	50 mm	5	1	50	26	49,5	68	0,161
	4112118	63 mm	1	1	63	32,5	60	84	0,277
	4112120	75 mm	1	1	75	38,5	68,5	100	0,447
	4112122	90 mm	1	1	90	46	79	120	0,802
	4112124	110 mm	1	1	110	56	93	147	1,412
	butt welding								
11	4112131	160 mm	1	1	160				

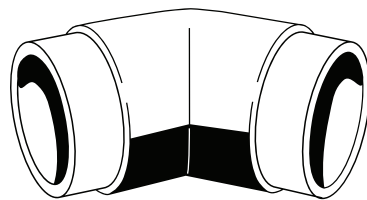


## Fittings

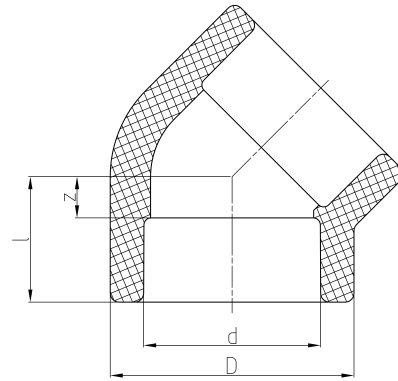
### Aquatherm red pipe Elbow 45° / B1



4112508-4112526



4112531

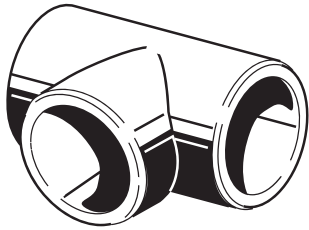


SDR	CODE	Dimension	PU m/pc	Price m/pc	d	z	l	D	Weight
7,4	socket welding								
	4112508	20 mm	10	1	20	5	19,5	29,5	0,014
	4112510	25 mm	10	1	25	6	22	34	0,019
	4112512	32 mm	5	1	32	7,5	25,5	43	0,035
	4112514	40 mm	5	1	40	9,5	30	52	0,054
	4112516	50 mm	5	1	50	11,5	35	68	0,115
	4112518	63 mm	1	1	63	14	41,5	84	0,221
	4112520	75 mm	1	1	75	16,5	46,5	100	0,343
	4112522	90 mm	1	1	90	19,5	52,5	120	0,558
	4112524	110 mm	1	1	110	23,5	60,5	147	0,995
4112526	125 mm	1	1	125	27	67	167	1,278	
11	butt welding								
	4112531	160 mm	1	1	160	95			1,380

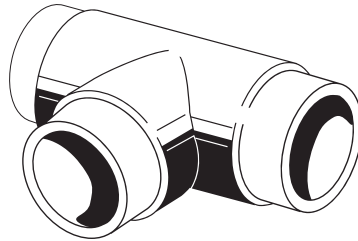
Advice: Special elbows in diverse degree sizes on request

## Fittings

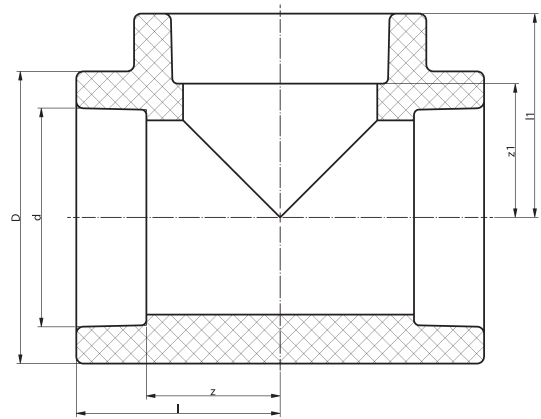
### Aquatherm red pipe Tee / B1



4113108-4113126



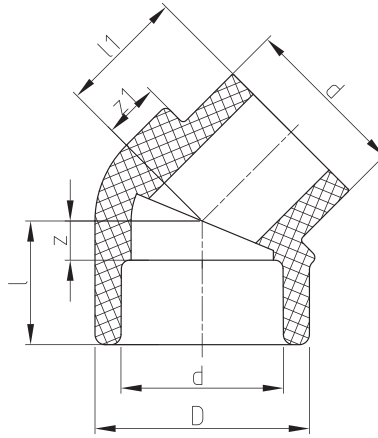
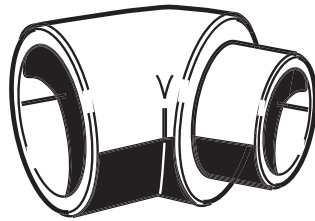
4113131



SDR	CODE	Dimension	PU m/pc	Price m/pc	d	D	l	z	l1	z1	Weight
7,4	socket welding										
	4113108	20 mm	10	1	20	29,5	25,5	11	25,5	11	0,024
	4113110	25 mm	10	1	25	34	31	15	31	15	0,033
	4113112	32 mm	5	1	32	43	35	17	35	17	0,061
	4113114	40 mm	5	1	40	52	40,5	20	40,5	20	0,089
	4113116	50 mm	5	1	50	68	49,5	26	49,5	26	0,205
	4113118	63 mm	1	1	63	84	60	32,5	60	32,5	0,368
	4113120	75 mm	1	1	75	100	68,5	38,5	68,5	38,5	0,556
	4113122	90 mm	1	1	90	120	79	46	79	46	0,968
	4113124	110 mm	1	1	110	147	93	56	93	56	1,718
4113126	125 mm	1	1	125	167	116,5	76,5	116,5	76,5	2,671	
11	butt welding										
	4113131	160 mm	1	1	160			145			2,791

## Fittings

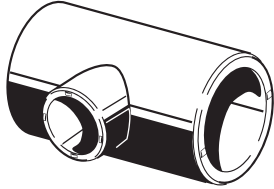
### Aquatherm red pipe Elbow 45° / B1 - Female / male



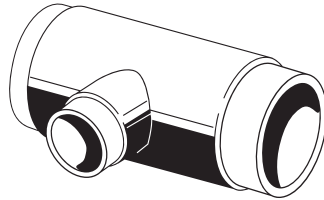
CODE	Dimension	PU m/pc	Price m/pc	d	z	l	D	l1	z1	Weight
4112708	20 mm f/m	10	1	20	5	19,5	29,5	19,5	8,75	0,014
4112710	25 mm f/m	10	1	25	6	22	34	22	8,5	0,018
4112712	32 mm f/m	5	1	32	7,5	25,5	43	28,5	11,5	0,036
4112714	40 mm f/m	5	1	40	9,5	30	52	30,5	13,5	0,057

## Fittings

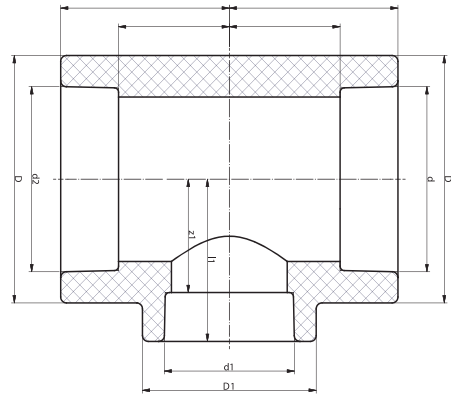
### Aquatherm red pipe Reducing tee / B1



4113511-4113596



4113601-4113603

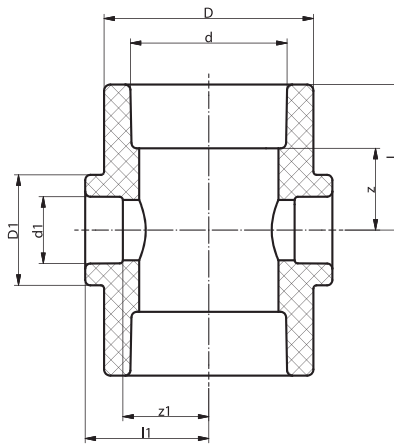
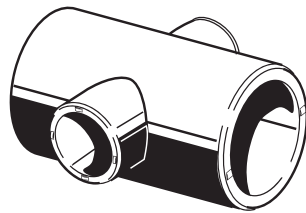


SDR	CODE	Dimension	PU m/ pc	d	l	z	D	d1	l1	z1	D1	d2	l2	z2	Weight
7,4	socket welding														
	4113511	20 x 25 x 20 mm	10	20	31	16,5	34	25	30,5	14,5	34	20	31	16,5	0,041
	4113520	25 x 20 x 20 mm	10	25	31	15	34	20	30,5	16	34	20	31	16,5	0,040
	4113522	25 x 20 x 25 mm	10	25	31	15	34	20	30,5	16	34	25	31	15	0,036
	4113532	32 x 20 x 20 mm	5	32	36,75	18,75	43	20	37	22,5	43	20	36,75	22,25	0,082
	4113534	32 x 20 x 32 mm	5	32	35	17	43	20	31	16,5	29,5	32	35	17	0,053
	4113540	32 x 25 x 32 mm	5	32	35	17	43	25	32	16	34	32	35	17	0,064
	4113544	40 x 25 x 40 mm	5	40	41,5	21	52	25	36	20	34	40	41,5	21	0,089
	4113546	40 x 32 x 40 mm	5	40	42	21,5	52	32	40,5	22,5	52	40	42	21,5	0,106
	4113550	50 x 32 x 50 mm	5	50	49,5	26	68	32	44,5	26,5	43	50	49,5	26	0,184
	4113551	50 x 40 x 50 mm	5	50	49,5	26	68	40	49,5	29	68	50	49,5	26	0,224
	4113556	63 x 32 x 63 mm	1	63	60	32,5	84	32	53,5	35,5	52	63	60	32,5	0,344
	4113558	63 x 40 x 63 mm	1	63	60	32,5	84	40	53,5	33	52	63	60	32,5	0,333
	4113560	63 x 50 x 63 mm	1	63	60	32,5	84	50	60	36,5	84	63	60	32,5	0,400
	4113566	75 x 40 x 75 mm	1	75	68,5	38,5	100	40	59	38,5	52	75	68,5	38,5	0,537
	4113568	75 x 50 x 75 mm	1	75	68,5	38,5	100	50	66	42,5	84	75	68,5	38,5	0,523
	4113570	75 x 63 x 75 mm	1	75	68,5	38,5	100	63	66	38,5	84	75	68,5	38,5	0,550
	4113578	90 x 40 x 90 mm	1	90	79	46	120	40	65	44,5	52	90	79	46	0,892
4113580	90 x 50 x 90 mm	1	90	79	46	120	50	75	51,5	84	90	79	46	1,006	
4113582	90 x 63 x 90 mm	1	90	79	46	120	63	75	47,5	84	90	79	46	0,915	

## Fittings

SDR	CODE	Dimension	PU m/pc	d	l	z	D	d1	l1	z1	D1	d2	l2	z2	Weight
7,4	4113584	90 x 75 x 90 mm	1	90	79	46	120	75	81	51	120	90	79	46	1,040
	4113586	110 x 63 x 110 mm	1	110	93	56	147	63	87,5	60	100	110	93	56	1,673
	4113588	110 x 75 x 110 mm	1	110	93	56	147	75	87,5	57,5	100	110	93	56	1,627
	4113590	110 x 90 x 110 mm	1	110	93	56	147	90	89	56	120	110	93	56	1,647
	4113592	125 x 75 x 125 mm	1	125	116,5	76,5	167	75	106,5	76,5	100	125	116,5	76,5	1,626
	4113594	125 x 90 x 125 mm	1	125	116,5	76,5	167	90	109,5	76,5	120	125	116,5	76,5	1,647
	4113596	125 x 110 x 125 mm	1	125	116,5	76,5	167	110	113,5	76,5	147	125	116,5	76,5	2,628
11	butt welding														
	4113601	160 x 75 x 160 mm	1	160	230	92	100	75				160			3,140
	4113603	160 x 90 x 160 mm	1	160	230	92	120	90				160			3,180

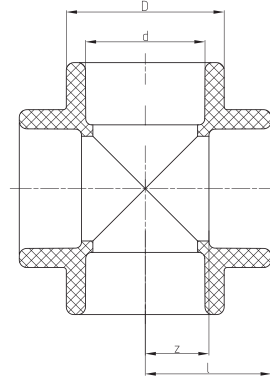
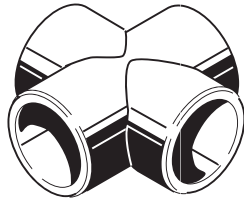
### Aquatherm red pipe Reducing tee / B1



CODE	Dimension	PU m/pc	Price m/pc	d1	z1	D1	l1	d	z	D	l	Weight
4113750	50 / 32 mm	5	1	32	26,5	43	44,5	50	26	68	49,5	0,170
4113756	63 / 32 mm	1	1	32	35,5	52	53,5	63	32,5	84	60	0,323
4113758	63 / 40 mm	1	1	40	33	52	53,5	63	32,5	84	60	0,302
4113764	75 / 32 mm	1	1	32	41	52	59	75	38,5	100	68,5	0,55
4113766	75 / 40 mm	1	1	40	38,5	52	59	75	38,5	100	68,5	0,483
4113768	75 / 50 mm	1	1	50	42,50	68,00	66	75	38,50	100,00	68,50	0,509
4113776	90 / 50 mm	1	1	50	51,5	68	75	90	35,5	120	68,5	0,703

## Fittings

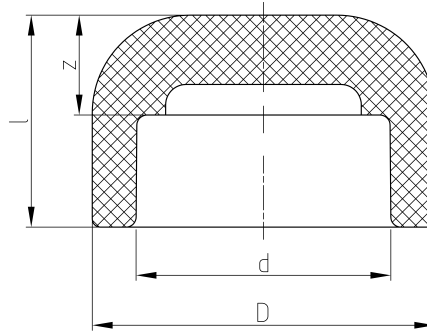
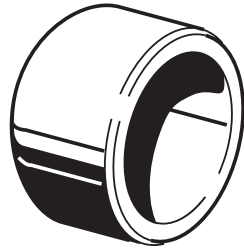
### Aquatherm red pipe Cross / B1



CODE	Dimension	PU m/pc	Price m/pc	d	z	l	D	Weight
4113712	32 mm	5	1	32	17	35	43	0,067
4113714	40 mm	5	1	40	21	41.5	52	0,105

## Fittings

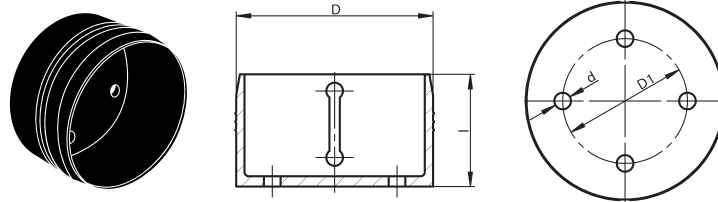
### Aquatherm red pipe End cap / B1



SDR	CODE	Dimension	PU m/pc	Price m/pc	d	l	z	D	Weight
7,4	Socket welding								
	4114108	20 mm	10	1	20	24	9,5	29,5	0,011
	4114110	25 mm	10	1	25	24	8	34	0,009
	4114112	32 mm	5	1	32	31,5	13,5	43	0,023
	4114114	40 mm	5	1	40	38	17,5	52	0,042
	4114116	50 mm	5	1	50	44,5	21	68	0,079
	4114118	63 mm	1	1	63	52	24,5	84	0,145
	4114120	75 mm	1	1	75	58,5	28,5	100	0,240
	4114122	90 mm	1	1	90	67,5	34,5	120	0,379
	4114124	110 mm	1	1	110	65	28	147	0,617
4114126	125 mm	1	1	125	70	30	167	0,857	
11	butt welding								
	4114131	160 mm	1	1	131	70	14,6	160	0,795

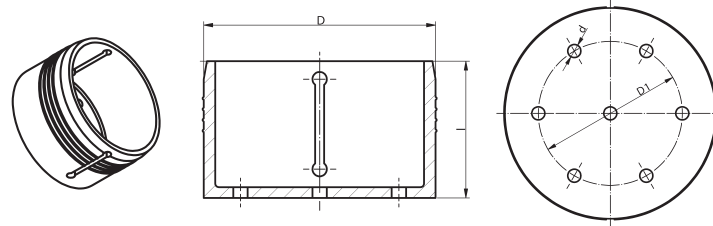
## Fittings

### Aquatherm red pipe Base part for sprinkler outlet for visible sprinkler



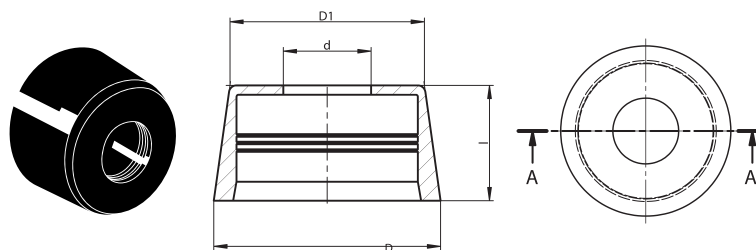
CODE		PU m/St	Price m/pc	D	D1	d	l	Weight
4114180	for visible sprinkler	25	1	47,35	30	4	27	0,012

### Aquatherm red pipe Base part for sprinkler outlet



CODE		PU m/St	Price m/pc	D	D1	d	l	Weight
4114190	for covered sprinkler	25	1	65	44	4	38	0,033

### Aquatherm red pipe Upper part for sprinkler outlet for visible sprinkler

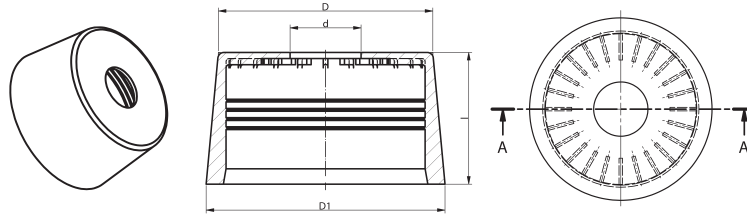


CODE	Dimension	PU m/St	Price m/pc	D	D1	d	l	Weight
4114181	1/2"	25	1	60	51,4	23,2	30	0,025
4114182	3/4"	25	1	60	51,6	30,2	30	0,023
4114183	1"	25	1	60	51,6	35,2	30	0,023



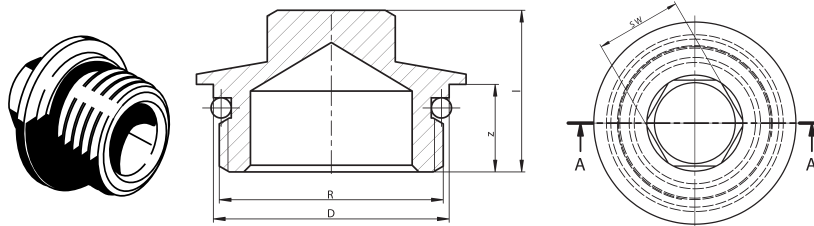
## Fittings

### Aquatherm red pipe Upper part for sprinkler outlet for covered sprinkler



CODE		PU m/St	Price m/pc	D	D1	d	l	Weight
4114180	for visible sprinkler	25	1	47,35	30	4	27	0,012

### Aquatherm red pipe Plug for sprinkler outlet

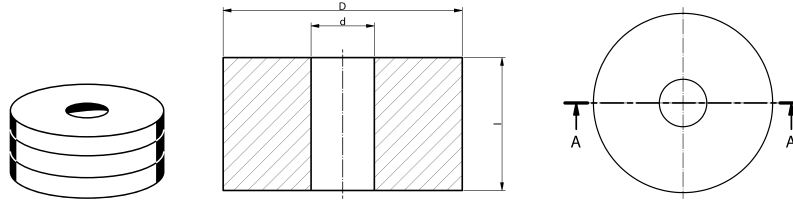


CODE	Dimensions	PU m/pc	Price m/pc	R	D	l	z	SW	Weight
4114185	1/2"	25	1	1/2"	23	21,5	11	15	0,045
4114186	3/4"	25	1	3/4"	30	23	12,5	17	0,061
4114187	1"	25	1	1"	35	24	13	17	0,079

## Fittings

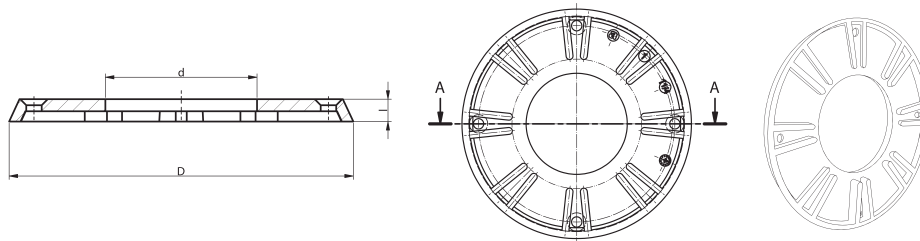
### Aquatherm red pipe Temporary plug for plaster works

Made of PE foam



CODE	Dimension	PU m/pc	Price m/pc	d	D	l	Weight
4114178	for 4114181, -82, -83	50	1	20	75,5	42	0,007
4114179	for 4114191, -92, -93	50	1	20	60	32	0,006

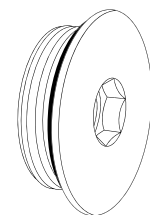
### Aquatherm red pipe sprinkler outlet



CODE	Dimension	PU m/pc	Price m/pc	D	d	l	Weight
4114200	1 1/4"	10	1	100,10	44,10	6,50	0,03
4114201	1 1/2"	10	1	111,10	50,10	6,50	0,036
4114202	2"	10	1	126,10	61,10	6,50	0,045

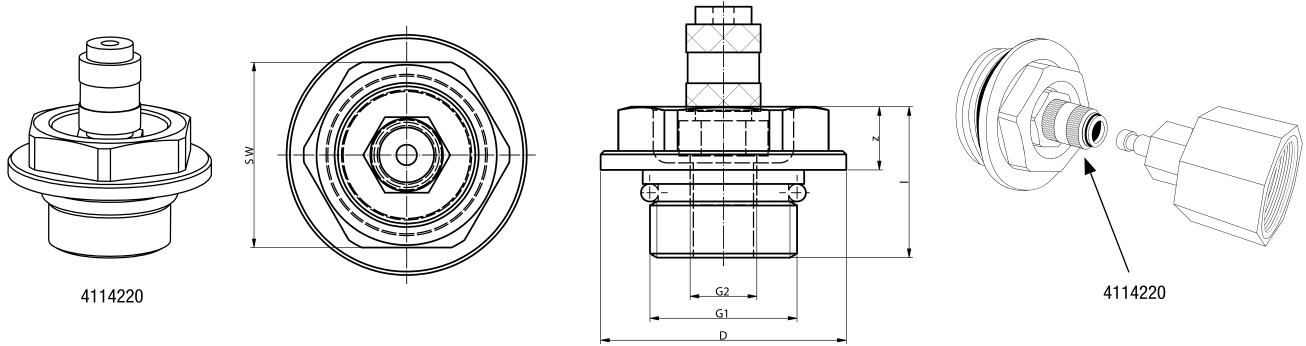
### Aquatherm red pipe Plug for sprinkler outlet

CODE	Dimension	PU m/pc	Price m/pc
4114206	Plug for sprinkler outlet 1 1/4"	10	1
4114207	Plug for sprinkler outlet 1 1/2"	10	1
4114208	Plug for sprinkler outlet 2"	10	1



## Fittings

### Aquatherm red pipe Plug for pressure test



CODE	Dimension	PU m/pc	Price m/pc	D	G1	G2	z	l	SW	Weight
4114212	thread 1/2"	10	1	35	1/2"	1/8"	9	21,5	27	0,064
4114213	thread 3/4"	10	1	35	3/4"	1/8"	9	21,5	27	0,085
4114214	thread 1"	10	1	40	1"	1/8"	8,5	21,5	27	0,12

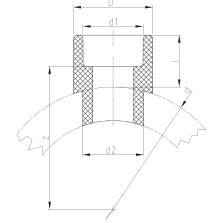
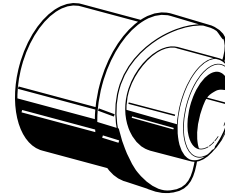
### Aquatherm red pipe Coupling plug 1/2"

CODE	Dimension	PU m/pc	Price m/pc	D	G1	G2	z	l	SW	Weight
4114220	1/2" for Art-. No. 4114212, -13, -14	1	1							

## Fittings

### Aquatherm red pipe Weld-in saddle

With weld-on surface and weld-in socket to be fused with the inner wall of the pipe.  
 The required tools for the fusion of aquatherm red pipe-weld-in saddles are listed on page 37: aquatherm red pipe-weld-in saddle tools CODE 50614 - 50658  
 aquatherm-drill CODE 50940 - 50952

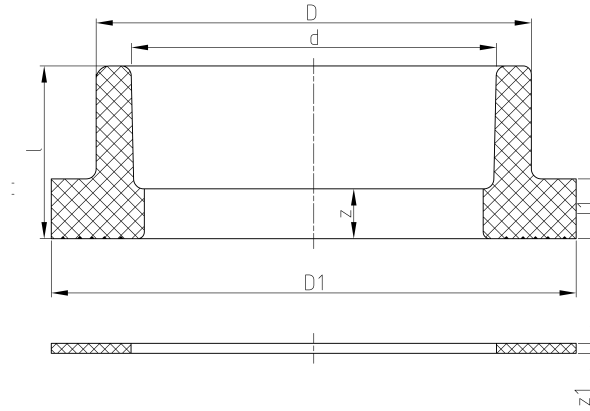
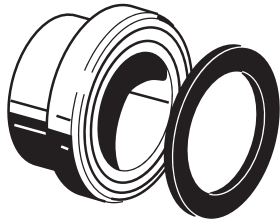


SDR	CODE	Dimension	PU m/pc	Price m/pc	d	d1	d2	l	z	D	Weight
socket welding											
7,4	4115156	40/20 mm	5	1	40	20	25	27	32,5	29,5	0,015
	4115158	40/25 mm	5	1	40	25	25	28,5	32,5	34	0,017
	4115160	50/20 mm	5	1	50	20	25	27,5	38	29,5	0,018
	4115162	50/25 mm	5	1	50	25	25	28,5	37,5	34	0,019
	4115164	63/20 mm	5	1	63	20	25	27,5	44,5	29,5	0,018
	4115166	63/25 mm	5	1	63	25	25	28,5	44	34	0,019
	4115168	63/32 mm	5	1	63	32	32	30	43,5	43	0,026
	4115170	75/20 mm	5	1	75	20	25	27,5	50,5	29,5	0,018
	4115172	75/25 mm	5	1	75	25	25	28,5	50	34	0,019
	4115174	75/32 mm	5	1	75	32	32	30	49,5	43	0,027
	4115175	75/40 mm	5	1	75	40	40	34	51	52	0,048
	4115176	90/20 mm	5	1	90	20	25	27,5	58	29,5	0,019
	4115178	90/25 mm	5	1	90	25	25	28,5	57,5	34	0,019
	4115180	90/32 mm	5	1	90	32	32	30	57	43	0,027
	4115181	90/40 mm	5	1	90	40	40	34	58,5	52	0,048
	4115182	110/20 mm	5	1	110	20	25	27,5	68	29,5	0,019
	4115184	110/25 mm	5	1	110	25	25	28,5	67,5	34	0,020
	4115186	110/32 mm	5	1	110	32	32	30	67	43	0,028
	4115188	110/40 mm	5	1	110	40	40	34	68,5	52	0,049
	4115189	110/50 mm	5	1	110	50	50	34	65,5	68	0,029
4115190	125/20 mm	5	1	125	20	25	27,5	75,5	29,5	0,019	
4115192	125/25 mm	5	1	125	25	25	28,5	75	34	0,021	
4115194	125/32 mm	5	1	125	32	32	30	74,5	43	0,030	
4115196	125/40 mm	5	1	125	40	40	34	76	52	0,051	
4115197	125/50 mm	5	1	125	50	50	34	73	68	0,029	
4115198	125/63 mm	5	1	125	63	63	38	73	84	0,029	
butt welding											
11	4115218	160/75 mm	5	1	160	75	75	42	92	100	0,229
	4115220	160/90 mm	5	1	160	90	90	45	92	120	0,338

## Fittings

### Aquatherm red pipe Weldable flange adapter / B1

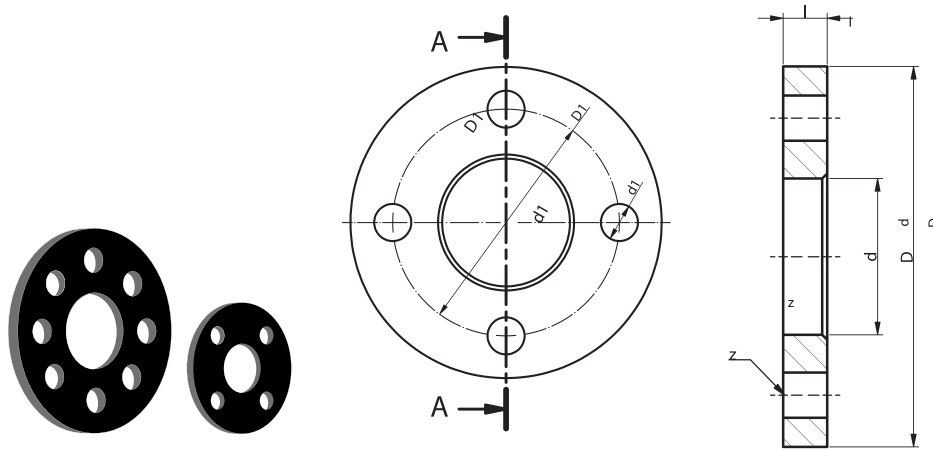
With joint ring



SDR	CODE	Dimension	PU m/pc	Price m/pc	d	l	z	D	D1	l1	z1	Weight
socket welding												
7,4	4115512	32 mm	1	1	32	35	17	41	68	11	3	0,031
	4115514	40 mm	1	1	40	36,5	16	50	78	12	3	0,044
	4115516	50 mm	1	1	50	40,5	17	61	88	13	3	0,061
	4115518	63 mm	1	1	63	44,5	17	76	102	15	3	0,100
	4115520	75 mm	1	1	75	47	17	90	122	17	3	0,143
	4115522	90 mm	1	1	90	50	17	108	138	17	3	0,252
	4115524	110 mm	1	1	110	55,5	18,5	131	158	18,5	3	0,327
4115527	125 mm	1	1	125	63	23	165	188	20	3	1,310	
butt welding												
11	4115531	160 mm	1	1	160	25	93	175		14,6	53	0,955

## Fittings

### Aquatherm red pipe Steel flange

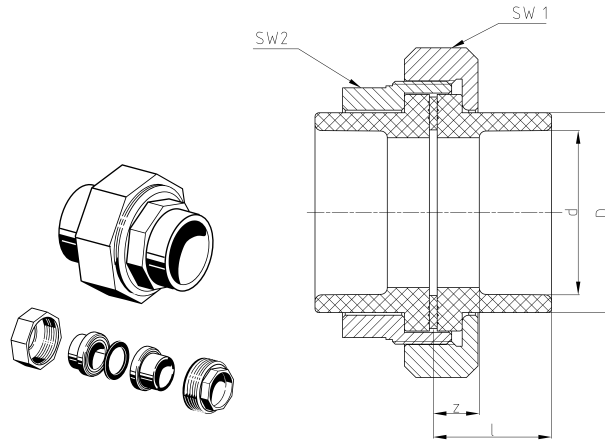


CODE	Dimension	no. of holes	Hole circle	PU m/pc	Price m/pc	d	D	D1	d1	l	Z	Weight
4115712	32 mm	4	85 mm	1	1	42	116	85	14	15,5	4	0,458
4115714	40 mm	4	100 mm	1	1	51	141	100	18	17,5	4	0,708
4115716	50 mm	4	110 mm	1	1	62	151	110	18	17,5	4	0,778
4115718	63 mm	4	125 mm	1	1	78	166	125	18	19	4	0,910
4115720	75 mm	4	145 mm	1	1	92	186	145	18	19	4	1,160
4115722	90 mm	8	160 mm	1	1	110	201	160	18	21	8	1,390
4115724	110 mm	8	180 mm	1	1	133	221	180	18	22	8	1,492
4115726	125 mm	8	210 mm	1	1	167	251	210	18	26	8	1,492
4115730	160 mm	8	240 mm	1	1	178	286	240	22	27	8	3,628

## Fittings

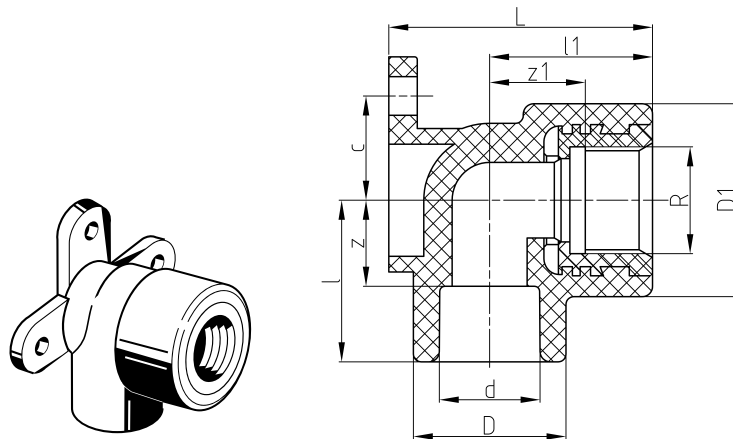
### Aquatherm red pipe Coupling screw / B1

Incl. 2 flange adapters with gasket



CODE	Dimension	PU m/pc	Price m/pc	d	l	z	D	SW1	SW2	Weight
4115812	32 mm	1	1	32	36,5	18,5	41	64	50	0,498
4115814	40 mm	1	1	40	38	17,5	50	80	60	0,842
4115816	50 mm	1	1	50	41	17,5	61	86	70	0,945
4115818	63 mm	1	1	63	45	17,5	76	108	90	1,541
4115820	75 mm	1	1	75	47,5	17,5	90	128	104	2,040

### Aquatherm red pipe Back plate elbow / B1

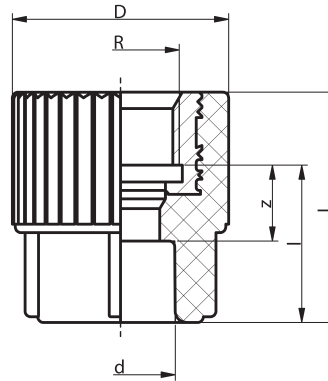
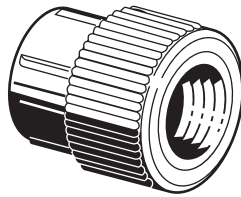


CODE	Dimension	PU m/pc	Price m/pc	d	l	z	D	l1	z1	D1	L	c	R	d1	Weight
4120108	20 mm x 1/2"	10	1	20	31	16,5	29,5	31,5	15,5	37	51	20	1/2"	7	0,085
4120112	25 mm x 3/4"	10	1	25	37	21	34	37	24	44	54	25	3/4"	7	0,111

## Transition Piece

### Aquatherm red pipe Transition piece / B1

For the connection to sprinkler outlets round



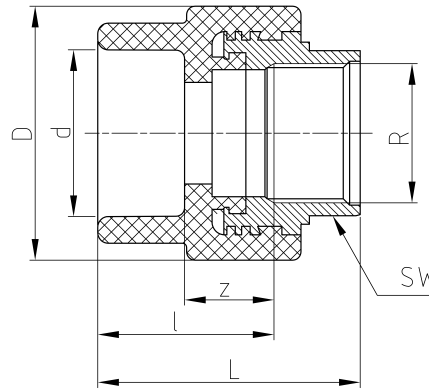
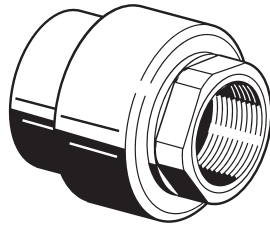
CODE	Dimension	PU m/pc	Price m/pc	d	I	z	D	L	R	Weight
4121008	20 mm x 1/2" f	10	1	20	27,5	13	37,5	40,5	1/2"	0,070
4121011	25 mm x 1/2" f	10	1	25	29	13	37,5	42	1/2"	0,071
4121012	25 mm x 3/4" f	10	1	25	27,5	11,5	43,5	40,5	3/4"	0,086
4121013	32 mm x 3/4" f	5	1	32	30,5	12,5	43,5	43,5	3/4"	
4121014	32 mm x 1/2" f	5	1	32	30	12	37,5	43	1/2"	0,081
4121016	40 mm x 1/2" f	5	1	40	32,5	12	52	45,5	1/2"	0,087
4121017	40 mm x 3/4" f	5	1	40	33	12,5	52	46	3/4"	



## Transition Piece

### Aquatherm red pipe Transition piece / B1

With hexagon (\*suitable for the connection to sprinkler outlets)

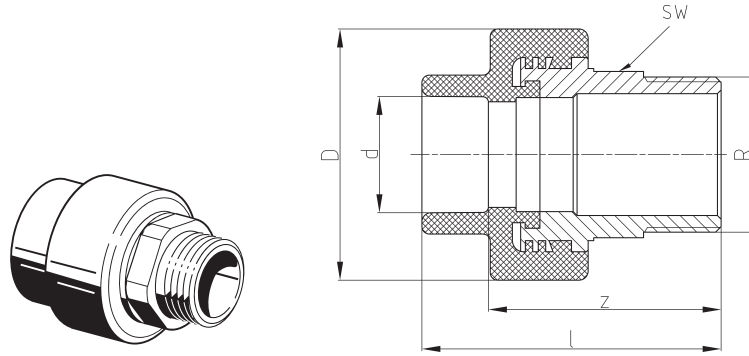


CODE	Dimension	PU m/pc	Price m/pc	d	l	z	D	L	R	SW	Weight
4121108	20 mm x 1/2" f	10	1	20	34,5	20	37,5	50,5	1/2"	24	0,087
4121110	20 mm x 3/4" f	10	1	20	29	14,5	43,5	50	3/4"	31	0,113
4121111	25 mm x 1/2" f	10	1	25	36	20	37,5	52	1/2"	24	0,087
4121112	25 mm x 3/4" f	10	1	25	29	13	43,5	50	3/4"	31	0,111
4121113	32 mm x 3/4" f	5	1	32	32	14	43,5	53	3/4"	31	0,114
4121114*	32 mm x 1" f	5	1	32	37,5	19,5	60	59,5	1"	39	0,239
4121115*	40 mm x 1" f	5	1	40	40	19,5	60	62	1"	39	0,246
4121116	40 mm x 1 1/4" f	5	1	40	42,5	19,5	74	63	1 1/4"	50	0,383
4121117	50 mm x 1 1/4" f	5	1	50	42,5	19,5	74	66	1 1/4"	50	0,401
4121118	50 mm x 1 1/2" f	5	1	50	45	21,5	85,5	67	1 1/2"	55	0,445
4121119	63 mm x 1 1/2" f	1	1	63	51,5	24	84	73,5	1 1/2"	55	0,468
4121120	63 mm x 2" f	1	1	63	50	22,5	101	76	2"	67	0,650
4121122	75 mm x 2" f	1	1	75	51	21	100	77	2"	67	0,671
4121153	32 mm x 1/2" f	5	1	32	37	19	43	53	1/2"	24	0,091
4121154	40 mm x 1/2" f	5	1	40	38	17,5	52	55,5	1/2"	24	0,101

## Transition Piece

### Aquatherm red pipe Transition piece / B1

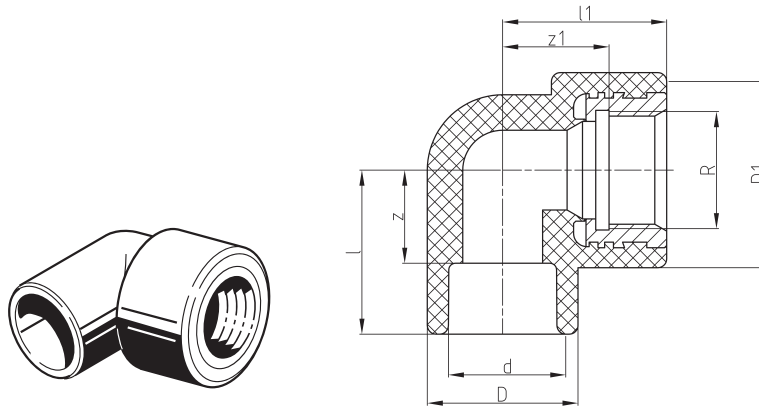
With hexagon



CODE	Dimensions	PU m/pc	Price m/pc	d	l	z	D	R	SW	Weight
4121308	20 mm x 1/2" m	10	1	20	66,5	52	38,5	1/2"	22	0,118
4121310	20 mm x 3/4" m	10	1	20	67,5	53	38,5	3/4"	24	0,129
4121311	25 mm x 1/2" m	10	1	25	68	52	38,5	1/2"	21	0,109
4121312	25 mm x 3/4" m	10	1	25	67,5	51,5	38,5	3/4"	24	0,128
4121313	32 mm x 3/4" m	5	1	32	70	52	43	3/4"	24	0,117
4121314	32 mm x 1" m	5	1	32	78,5	60,5	53	1"	30	0,244
4121316	32 mm x 1 1/4" m	5	1	32	81	63	68	1 1/4"	41	0,357
4121317	40 mm x 1" m	5	1	40	81	60,5	52	1"	30	0,250
4121318	40 mm x 1 1/4" m	5	1	40	84,5	64	68	1 1/4"	41	0,364
4121319	50 mm x 1 1/4" m	5	1	50	85,5	62	68	1 1/4"	41	0,391
4121320	50 mm x 1 1/2" m	5	1	50	88,5	65	74	1 1/2"	46	0,480
4121321	63 mm x 1 1/2" m	1	1	63	99	71,5	72,5	1 1/2"	46	0,523
4121322	63 mm x 2" m	1	1	63	102,5	75	84	2"	50	0,705
4121323	75 mm x 2" m	1	1	75	102	72	84	2"	50	0,753
4121324	75 mm x 2 1/2" m	1	1	75	105	75	100	2 1/2"	65	1,024
4121325	90 mm x 3" m	1	1	90	121	88	120	3"	83	1,530
4121327	110 mm x 4" m	1	1	110	148	111	147	4"	105	2,816

## Transition Piece

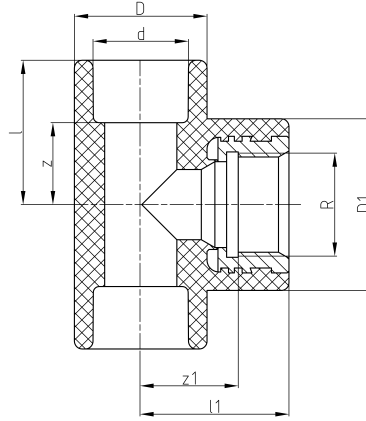
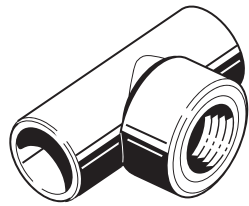
### Aquatherm red pipe Transition elbow / B1



CODE	Dimension	PU m/pc	Price m/pc	d	l	z	D	l1	z1	D1	R	Weight
4123008	20 mm x 3/4" f	10	1	20	37	22,5	34	37	24	44	3/4"	0,108
4123010	20 mm x 1/2" f	10	1	20	31,5	17	29,5	31,5	18,5	37	1/2"	0,081
4123012	25 mm x 3/4" f	10	1	25	37	21	34	37	24	44	3/4"	0,106
4123014	25 mm x 1/2" f	10	1	25	34	18	34	37	24	37	1/2"	0,087
4123015	32 mm x 1/2" f	10	1	32	35	17	43	37	24	37	1/2"	0,096
4123016	32 mm x 3/4" f	5	1	32	27,5	9,5	43	51	38	44	3/4"	0,110
4123018	32 mm x 1" f	5	1	32	34	16	43	66,5	44,5	60,5	1"	0,260
4123020	40 mm x 1/2" f	5	1	40	41	20,5	52	39	26	37	1/2"	0,127
4123022	40 mm x 1" f	5	1	40	41,5	21	52	56	34	60	1"	0,274

## Transition Piece

### Aquatherm red pipe Threaded branch tee / B1

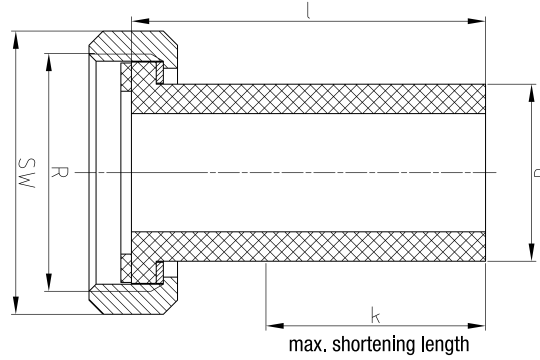
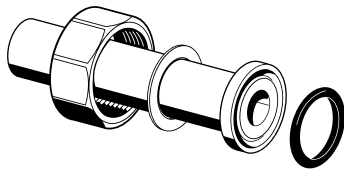


CODE	Dimension	PU m/pc	Price m/pc	d	l	z	D	l1	z1	D1	R	SW	Weight
4125006	20 x 1/2" f x 20 mm	10	1	20	31,5	17	29,5	37	24	37	1/2"	-	0,088
4125008	20 x 3/4" f x 20 mm	10	1	20	37	22,5	34	38	25	44	3/4"	-	0,120
4125010	25 x 1/2" f x 25 mm	10	1	25	34	18	34	38	25	37	1/2"	-	0,093
4125012	25 x 3/4" f x 25 mm	10	1	25	37	21	34	38	25	44	3/4"	-	0,116
4125013	32 x 1/2" f x 32 mm	5	1	32	35,5	17,5	43	36	23	37	1/2"	-	0,105
4125014	32 x 3/4" f x 32 mm	5	1	32	27,5	9,5	43	51	38	44	3/4"	-	0,118
4125016	32 x 1" f x 32 mm	5	1	32	31	13,5	43	67	49	60	1"	39	0,272
4125018	40 x 1/2" f x 40 mm	5	1	40	42,5	22	52	39	26	37	1/2"	-	0,140
4125019	40 x 3/4" f x 40 mm	5	1	40	40,5	20	52	40,5	27,5	52	3/4"		
4125020	40 x 1" f x 40 mm	5	1	40	41,5	21	52	56	34	60	1"	42	
4125022	50 x 1" f x 50 mm	5	1	50	49,5	26	68	63,5	43,5	68	1"	39	0,433
4125024	50 x 1 1/4" f x 50 mm	5	1	50	49,5	26	68	65	45	68	1 1/4"	50	0,488

## Transition Piece

### Aquatherm red pipe Loose nut adapter / B1

Length: 100 mm threaded, with gasket

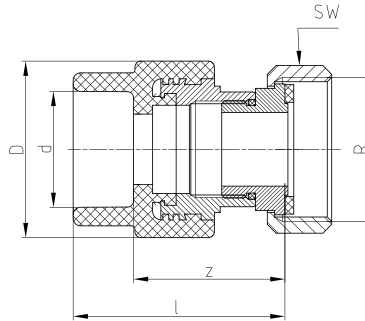
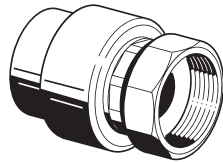


CODE	Dimension	PU m/pc	Price m/pc	d	l	K	R	SW	Weight
4126708	20 mm x nut thread 1"	1	1	20	100	65	1"	36	0,083
4126710	25 mm x nut thread 1 1/4"	1	1	25	100	62	1 1/4"	46	0,117
4126712	32 mm x nut thread 1 1/2"	1	1	32	100	58	1 1/2"	52	0,160
4126714	40 mm x nut thread 2"	1	1	40	100	53	2"	64	0,256
4126716	50 mm x nut thread 2 1/4"	1	1	50	100	49	2 1/4"	72	0,436
4126717	50 mm x nut thread 2 1/2"	1	1	50	100	44	2 1/2"	80	0,457
4126718	63 mm x nut thread 2 3/4"	1	1	63	100	43	2 3/4"	89	0,541
4126720	75 mm x nut thread 3 1/2"	1	1	75	100	34	3 1/2"	110	0,918
4126722	90 mm x nut thread 4"	1	1	90	100	26	4"	120	1,238

## Transition Piece

### Aquatherm red pipe Female part union / B1

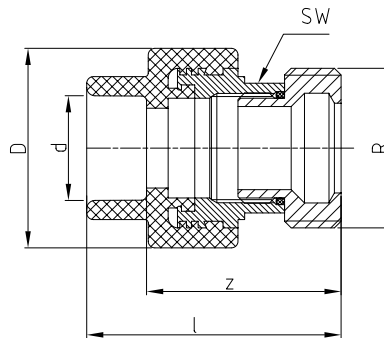
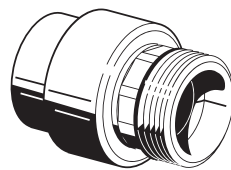
ISO-Norm



CODE	Dimension	PU m/pc	Price m/pc	d	l	z	D	R	SW	Weight
4127010	nut thread 1" x 20 mm	10	1	20	58,5	36	38,5	1"	36	0,182
4127012	nut thread 1 1/4" x 25 mm	10	1	25	60	44	43,5	1 1/4"	46	0,253
4127014	nut thread 1 1/2" x 32 mm	5	1	32	69,5	51,5	60	1 1/2"	52	0,437
4127016	nut thread 2" x 40 mm	5	1	40	74	53,5	74	2"	64	0,705
4127018	nut thread 2 1/4" x 50 mm	5	1	50	78	54,5	84	2 1/4"	72	0,919
4127020	nut thread 2 3/4" x 63 mm	1	1	63	84	56,5	101	2 3/4"	89	1,236
4127022	nut thread 3 1/2" x 75 mm	1	1	75	91	61	100	3 1/2"	110	1,832

### Aquatherm red pipe Counterpart / B1

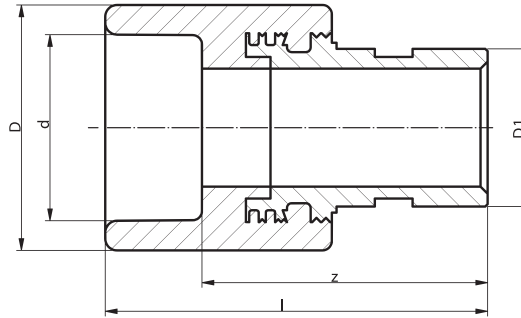
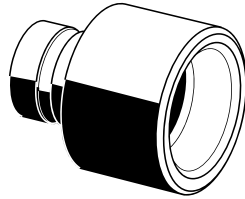
With welding socket and male thread for ISO-threaded joints



CODE	Dimension	PU m/pc	Price m/pc	d	l	z	D	R	SW	Weight
4127310	20 mm x 1" m	10	1	20	61,5	47	38,5	1"	24	0,149
4127312	25 mm x 1 1/4" m	10	1	25	63	47	43,5	1 1/4"	31	0,222
4127314	32 mm x 1 1/2" m	5	1	32	76,5	58,5	60	1 1/2"	39	0,404
4127316	40 mm x thread 2" m	5	1	40	81	60,5	74	2"	50	0,604
4127318	50 mm x thread 2 1/4" m	5	1	50	83	59,5	84	2 1/4"	55	0,665
4127320	63 mm x thread 2 3/4" m	1	1	63	94	66,5	101	2 3/4"	67	1,071
4127322	75 mm x thread 3 1/2" m	1	1	75	100	70	100	3 1/2"	67	1,442

## Transition Piece

### Aquatherm red pipe Transition piece for groove connection / B1



CODE	Dimension	PU m/pc	Price m/pc	d	l	z	D	D1	Weight
4127054	40 mm x 1" groove connection	1	1	40	81	60,5	52	33,5	0,226
4127056	50 mm x 1 1/4" groove connection	1	1	50	85,5	62	68	42,2	0,373
4127058	63 mm x 1 1/2" groove connection	1	1	63	97,5	70	84	48,25	0,533
4127060	75 mm x 2" groove connection	1	1	75	97	67	100	60,3	0,788
4127062	90 mm x 3" groove connection	1	1	88,5	110	77	120	88,9	1,395
4127064	110 mm x 4" groove connection	1	1	108,3	119,5	82,5	147	114,3	2,117
4127066	125 mm x 5" groove connection	1	1	125	167	130	167	140	5,270

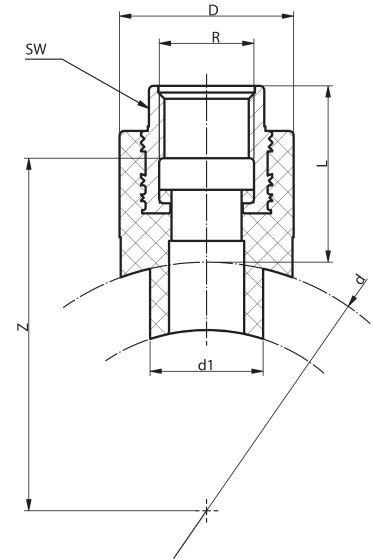
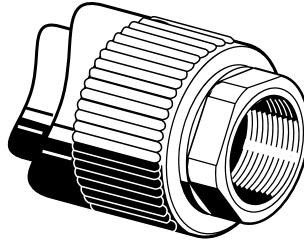
## Transition Piece

### Aquatherm red pipe Weld-in saddle with female thread / B1

With female thread and hexagon socket, with weld-in weld-on surface and weld-in socket to be fused with the inner wall of the pipe

The required tools for the fusion of aquatherm red pipe-weld-in saddles are listed on page 37:  
 - weld-in saddle tools, CODE 50614 - 50644  
 - aquatherm-drill, CODE 50940 - 50948

\* Suitable for the connection to sprinkler outlets

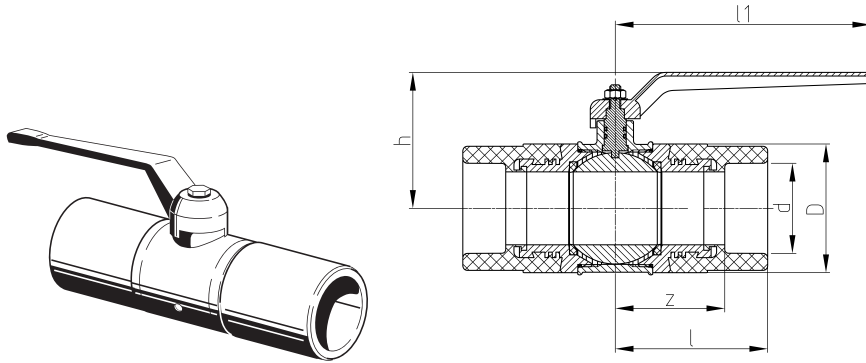


CODE	Dimension	PU m/pc	Price m/pc	d	D1	l	z	D	R	SW	Weight
4128214	40/25 mm x 1/2" f	5	1	40	25	39	43	38,5	1/2"	24	0,087
4128216	50/25 mm x 1/2" f	5	1	50	25	39	48	38,5	1/2"	24	0,088
4128218	63/25 mm x 1/2" f	5	1	63	25	39	54,5	38,5	1/2"	24	0,088
4128220	75/25 mm x 1/2" f	5	1	75	25	39	53,5	38,5	1/2"	24	0,088
4128222	90/25 mm x 1/2" f	5	1	90	25	39	68	38,5	1/2"	24	0,088
4128224	110/25 mm x 1/2" f	5	1	110	25	39	78	38,5	1/2"	24	0,088
4128226	125/25 mm x 1/2" f	5	1	125	25	39	85,5	38,5	1/2"	24	0,091
4128234	40/25 mm x 3/4" f	5	1	40	25	39	38	43,5	3/4"	31	0,108
4128236	50/25 mm x 3/4" f	5	1	50	25	39	43	43,5	3/4"	31	0,111
4128238	63/25 mm x 3/4" f	5	1	63	25	39	49,5	43,5	3/4"	31	0,110
4128240	75/25 mm x 3/4" f	5	1	75	25	39	55,5	43,5	3/4"	31	0,109
4128242	90/25 mm x 3/4" f	5	1	90	25	39	63	43,5	3/4"	31	0,110
4128244	110/25 mm x 3/4" f	5	1	110	25	39	73	43,5	3/4"	31	0,111
4128246	125/25 mm x 3/4" f	5	1	125	25	39	80,5	43,5	3/4"	31	0,112
4128260*	75/32 mm x 1" f	5	1	75	32	43	58,5	60	1"	39	0,231
4128262*	90/32 mm x 1" f	5	1	90	32	43	66	60	1"	39	0,234
4128264*	110/32 mm x 1" f	5	1	110	32	43	76	60	1"	39	0,237
4128266*	125/32 mm x 1" f	5	1	125	32	43	83,5	60	1"	39	0,237



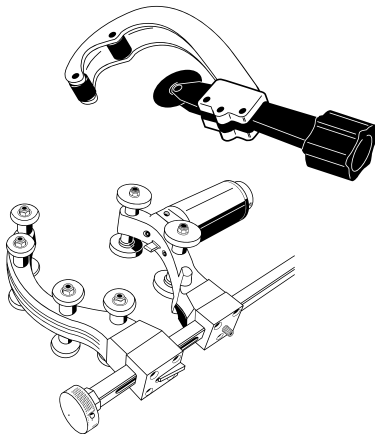
## Transition Piece | Cutter & welding devices

### Aquatherm red pipe Ball valve PP/MS / B1



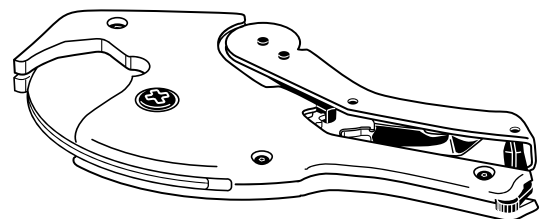
CODE	Dimension	PU m/pc	Price m/pc	d	l	z	D	h	l1	Weight
4141308	20 mm	1	1	20	55	40,5	32	66	85	0,280
4141310	25 mm	1	1	25	55	39	41	73	85	0,371
4141312	32 mm	1	1	32	63,5	45,5	47	82	108	0,593
4141314	40 mm	1	1	40	72,5	52	58	93	108	0,950
4141316	50 mm	1	1	50	83,5	60	70,5	114	140	1,585
4141318	63 mm	1	1	63	102,5	75	87	132	140	2,552

### Aquatherm Pipe cutter



CODE	For Pipe Dimension	PU m/pc	Price m/pc
50102	ø 16 - 40 mm	1	1
50105	ø 50 - 125 mm	1	1
50106	ø 110 - 160 mm	1	1

### Aquatherm Pipe cutter



CODE	For Pipe Dimension	PU m/pc	Price m/pc
50104	ø 16 - 40 mm	1	1

Important: Do not cut the aquatherm red pipe- pipes with customary hack saws. aquatherm red pipe- pipes can be cut with customary saws equipped with saw blades suitable for plastic.

## Cutter & welding devices

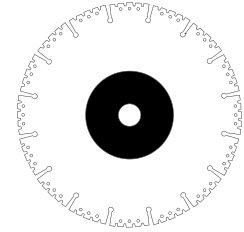
### Aquatherm Orbital circular saw

This orbital circular saw can be ordered directly from Rothenberger with CODE 5.5620 (www.rothenberger.com). High-performance orbital circular saw for fast, precise, perfectly aligned and right-angled cutting of plastic pipes 160 - 355 mm at the building site or in the workshop.

CODE	For Pipe Dimension	PU m/pc	Price m/pc
50108	ø 160 - 355 mm	1	1

### Aquatherm Cutting disc for plastic

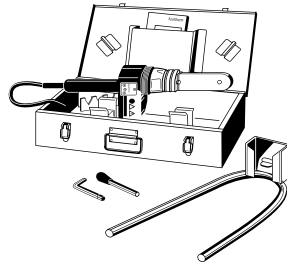
Application: for each angle grinder  
 Design: diamant galvanized cutting disc



CODE	Dimensions	Borehole	Price m/pc
50107	ø 125 mm	22,2 mm	1
50109	ø 230 mm	22,2 mm	1

### Aquatherm Manual welding device (500 W)

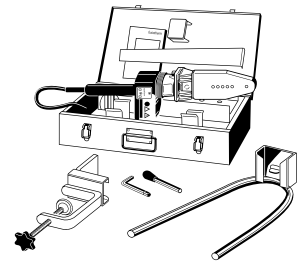
With base and case for tools



CODE	For Pipe Dimension	PU m/pc	Price m/pc
50336	ø 16 - 32 mm	1	1

### Aquatherm Manual welding device (800 W)

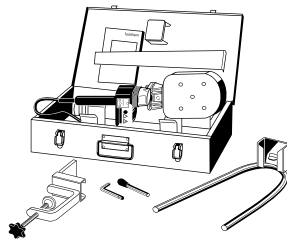
With base and case for tools



CODE	For Pipe Dimension	PU m/pc	Price m/pc
50337	ø 16 - 63 mm	1	1

### Aquatherm Manual welding device (1400 W)

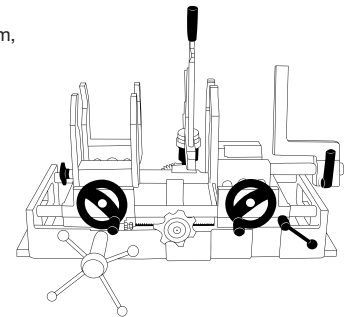
With base and case for tools



CODE	For Pipe Dimension	PU m/pc	Price m/pc
50341	ø 50 - 125 mm	1	1

### Aquatherm Welding machine (1400 W)

including welding tools 20-125 mm, roll stand and wooden transport case

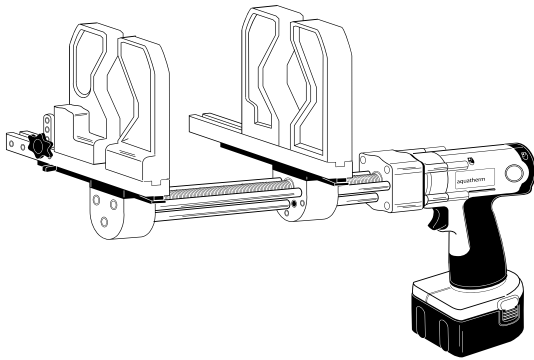


CODE	For Pipe Dimension	Packing Unit	Price m/pc
50147	ø 50 - 125 mm	1	1

## Cutter & welding devices

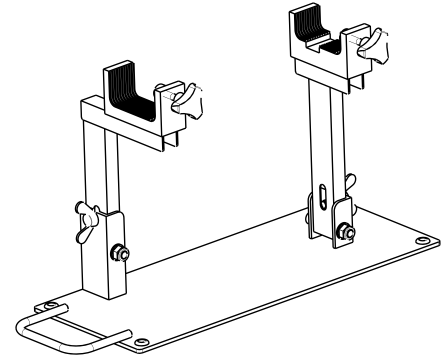
### Aquatherm Electric welding jig

incl. spare battery, charging station and metal case Support: CODE 50151 on request



CODE	For Pipe Dimension	Packing Unit	Price m/pc
50159	ø 63 - 125 mm	1	1

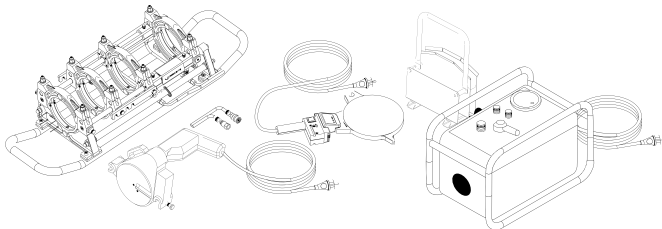
### Aquatherm Base for CODE 50159



CODE	Packing Unit	Price m/pc
50151	1	1

### Aquatherm Butt welding machine Rothenberger

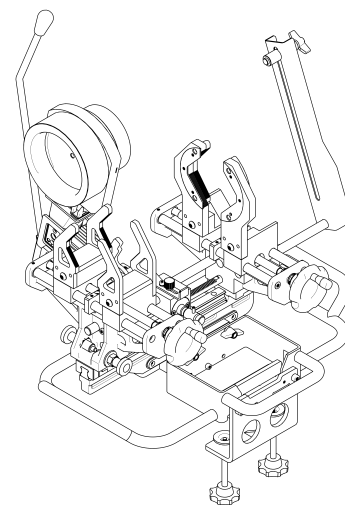
Including wooden transport box.  
 The butt welding machine can be obtained directly from Rothenberger ([www.rothenberger.com](http://www.rothenberger.com))



CODE	For Pipe Dimension	PU m/pc
50163	ø 160 - 250 mm	1

### Aquatherm Welding machine (1400 W) Light

Aquatherm-manual welding device (1400 W) and wooden transport case

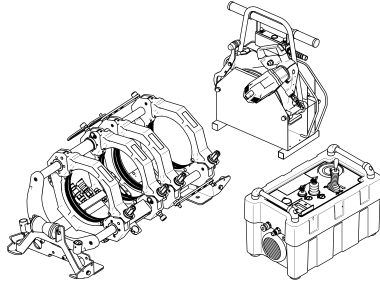


CODE	For Pipe Dimension	Packing Unit	Price m/pc
50145	ø 63 - 125 mm	1	1

## Cutter & welding devices

### Aquatherm Butt welding machine Ritmo

including wooden transport box.  
 The butt welding machine can  
 be obtained directly from Ritmo  
 (www.ritmo.it)



CODE	For Pipe Dimension	Packing Unit
50165	∅ 160 - 250 mm	1

### Aquatherm Temperature measuring device

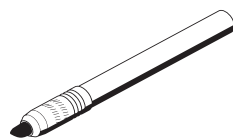
To check the correct welding  
 temperature



CODE	Packing Unit	Price m/pc
50188	1	1

### Aquatherm Thermocolour pencil

To check the correct welding temperature



CODE	Packing Unit	Price m/pc
50190	1	1

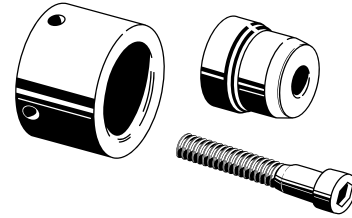
### Aquatherm Cleaning wipes

For electrofusion sockets



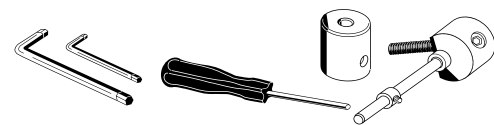
CODE	Dimensions	Packing Unit	Price m/pc
50193	Box with 100 towels	1	1

### Aquatherm Welding tool



CODE	Dimensions	Packing Unit	Price m/pc
50206	16 mm	1	1
50208	20 mm	1	1
50210	25 mm	1	1
50212	32 mm	1	1
50214	40 mm	1	1
50216	50 mm	1	1
50218	63 mm	1	1
50220	75 mm	1	1
50222	90 mm	1	1
50224	110 mm	1	1
50226	125 mm	1	1

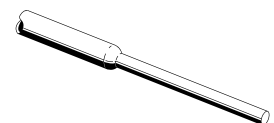
### Aquatherm Repair kit



CODE	Dimensions	Packing Unit	Price m/pc
50307	7 mm	1	1
50311	11 mm	1	1

### Aquatherm red pipe Repair stick

Material: Fusiolen® PP-R FS to  
 close pipe holes up to 10 mm.  
 Tool: aquatherm green pipe  
 -repair kit (CODE 50307 + 50311).

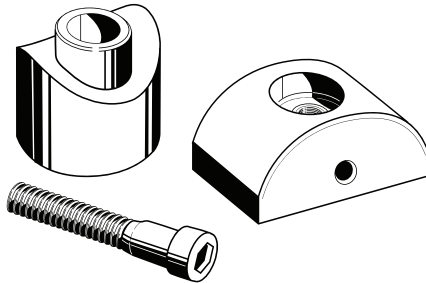


CODE	Dimensions	Packing Unit	Price m/pc
4160600	7/11 mm	10	1

## Cutter & welding devices

### Aquatherm Welding tool

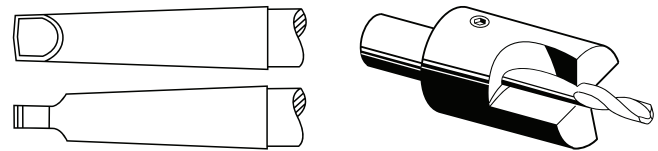
For welding saddles of CODE.  
 4115156-4115198 and  
 4128214-4128266



CODE	Dimensions	Packing Unit	Price m/pc
50614	40 x 20/25 mm	1	1
50616	50 x 20/25 mm	1	1
50619	63 x 20/25 mm	1	1
50620	63 x 32 mm	1	1
50623	75 x 20/25 mm	1	1
50624	75 x 32 mm	1	1
50625	75 x 40 mm	1	1
50627	90 x 20/25 mm	1	1
50628	90 x 32 mm	1	1
50629	90 x 40 mm	1	1
50631	110 x 20/25 mm	1	1
50632	110 x 32 mm	1	1
50634	110 x 40 mm	1	1
50635	110 x 50 mm	1	1
50636	125 x 20/25 mm	1	1
50638	125 x 32 mm	1	1
50640	125 x 40 mm	1	1
50642	125 x 50 mm	1	1
50644	125 x 63 mm	1	1
50648	160 x 20/25 mm	1	1
50650	160 x 32 mm	1	1
50652	160 x 40 mm	1	1
50654	160 x 50 mm	1	1
50656	160 x 63 mm	1	1
50657	160 x 75 mm	1	1
50658	160 x 90 mm	1	1

### Aquatherm Drill

For installation of weld-in  
 saddles



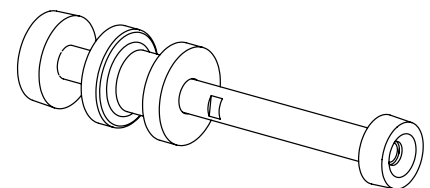
\*\* tool holder MK4

\* may only be used in fixed drilling  
 machines!

CODE	Dimensions	Packing Unit	Price m/pc
50940	20 & 25 mm (For pipes 40 - 160 mm)	1	1
50942	32 mm	1	1
50944	40 mm	1	1
50946*	50 mm	1	1
50948*	63 mm	1	1
50950*/**	75 mm	1	
50952*/**	90 mm	1	

### Extraction Tool

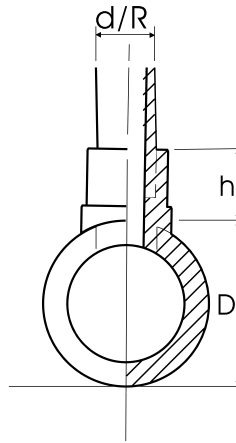
For sprinkler outlet CODE.4114181-93



CODE	Packing Unit	Price m/pc
50290	1	1

**Part C:  
 Weld-in saddles**

For pipe external diameters of 40, 50, 63, 75, 90, 110, 125, 160 mm



CODE	Dimension	D	d	R	h	Sensorwells	Drill	Welding Tool
		mm	mm	f	mm	ømm	CODE	CODE
4115156	40/20 mm	40	20	-	27,0	-	50940	50614
4115158	40/25 mm	40	25	-	28,0	-	50940	50614
4115160	50/20 mm	50	20	-	27,0	-	50940	50616
4115162	50/25 mm	50	25	-	28,0	-	50940	50616
4115164	63/20 mm	63	20	-	27,0	-	50940	50619
4115166	63/25 mm	63	25	-	28,0	-	50940	50619
4115168	63/32 mm	63	32	-	30,0	-	50942	50620
4115170	75/20 mm	75	20	-	27,0	-	50940	50623
4115172	75/25 mm	75	25	-	28,0	-	50940	50623
4115174	75/32 mm	75	32	-	30,0	-	50942	50624
4115175	75/40 mm	75	40	-	34,0	-	50944	50625
4115176	90/20 mm	90	20	-	27,0	-	50940	50627
4115178	90/25 mm	90	25	-	28,0	-	50940	50627
4115180	90/32 mm	90	32	-	30,0	-	50942	50628
4115181	90/40 mm	90	40	-	34,0	-	50944	50629
4115182	110/20 mm	110	20	-	27,0	-	50940	50631
4115184	110/25 mm	110	25	-	28,0	-	50940	50631
4115186	110/32 mm	110	32	-	30,0	-	50942	50632
4115188	110/40 mm	110	40	-	34,0	-	50944	50634
4115189	110/50 mm	110	50	-	34,0	-	50946	50635
4115190	125/20 mm	125	20	-	27,0	-	50940	50636
4115192	125/25 mm	125	25	-	28,0	-	50940	50636
4115194	125/32 mm	125	32	-	30,0	-	50942	50638

CODE	Dimension	D	d	R	h	Sensorwells	Drill	Welding Tool
4115196	125/40 mm	125	40	-	34,0	-	50944	50640
4115197	125/50 mm	125	50	-	34,0	-	50946	50642
4115198	125/63 mm	125	63	-	38,0	-	50948	50644
4115218	160/75 mm	160	75	-	42,0	-	50950	50657
4115220	160/90 mm	160	90	-	45,0	-	50952	50658
4128214	40/25x1/2" f.	40		1/2"	39,0	14	50940	50614
4128216	50/25x1/2" f.	50		1/2"	39,0	14	50940	50616
4128218	63/25x1/2" f.	63		1/2"	39,0	14	50940	50619
4128220	75/25x1/2" f.	75		1/2"	39,0	14	50940	50623
4128222	90/25x1/2" f.	90		1/2"	39,0	14	50940	50627
4128224	110/25x1/2" f.	110		1/2"	39,0	14	50940	50631
4128226	125/25x1/2" f.	125		1/2"	39,0	14	50940	50636
4128234	40/25x3/4" f.	40		3/4"	39,0	16	50940	50614
4128236	50/25x3/4" f.	50		3/4"	39,0	16	50940	50616
4128238	63/25x3/4" f.	63		3/4"	39,0	16	50940	50619
4128240	75/25x3/4" f.	75		3/4"	39,0	16	50940	50623
4128242	90/25x3/4" f.	90		3/4"	39,0	16	50940	50627
4128244	110/25x3/4" f.	110		3/4"	39,0	16	50940	50631
4128246	125/25x3/4" f.	125		3/4"	39,0	16	50940	50636
4128260	75/32x1" f.	75		1"	43,0	20	50942	50624
4128262	90/32x1" f.	90		1"	43,0	20	50942	50628
4128264	110/32x1" f.	110		1"	43,0	20	50942	50632
4128266	125/32x1" f.	125		1"	43,0	20	50942	50638

# www.shawston.co.uk

---

## Shawston London

Units 8 & 9,  
Hillbottom Road,  
Sands Industrial Estate,  
High Wycombe,  
Bucks HP12 4HS

Tel: 01494 460 910  
Fax: 01494 522 573  
Email: London@shawston.co.uk

## Shawston Birmingham

Bay 1, Block D,  
The Bescot Estate,  
Woden Road West, Wednesbury  
West Midlands WS10 7SG

Tel: 0121 556 3400  
Fax: 0121 506 4669  
Email: Birmingham@shawston.co.uk

## Shawston Manchester

Great Norbury Street,  
Hyde,  
Cheshire SK14 1BW

Tel: 0161 368 4545  
Fax: 0161 367 8114  
Email: Manchester@shawston.co.uk

## Shawston Glasgow

Block 1 Unit 4,  
Annick Industrial Estate,  
31 Sandilands Street,  
Shettleston,  
Glasgow G32 OHT

Tel: 0141 778 6975  
Fax: 0141 778 6264  
Email: Glasgow@shawston.co.uk

---