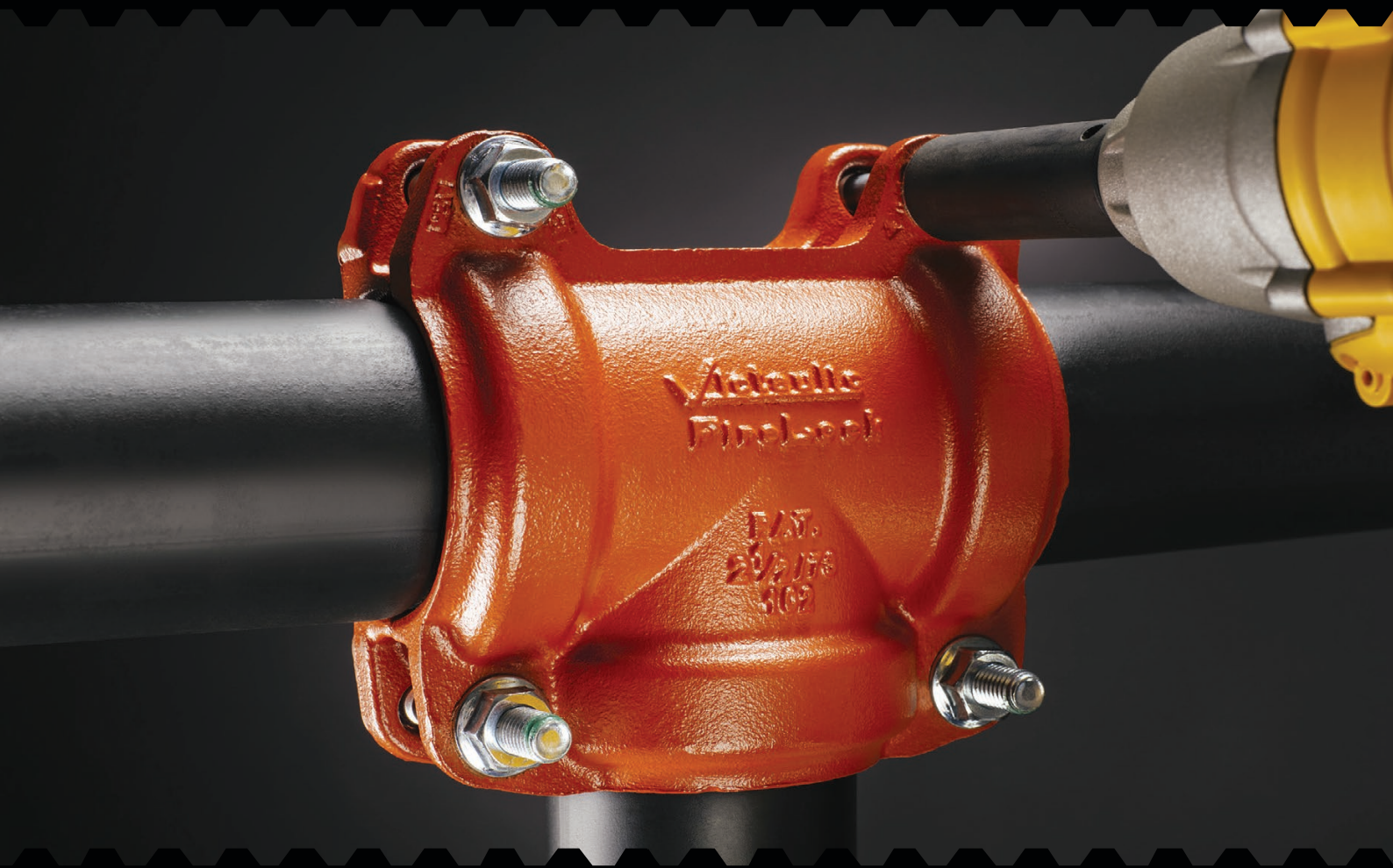


## Victaulic Fire Products



**Keeping the art of distribution simple**

# Victaulic Fittings, Couplings, Valves & Sprinkler Heads








The Victaulic grooved piping system is the most versatile economical, and reliable piping system available. It is up to 3 times faster to install than welding, easier and more reliable than threading or flanging, resulting in lower installed cost.

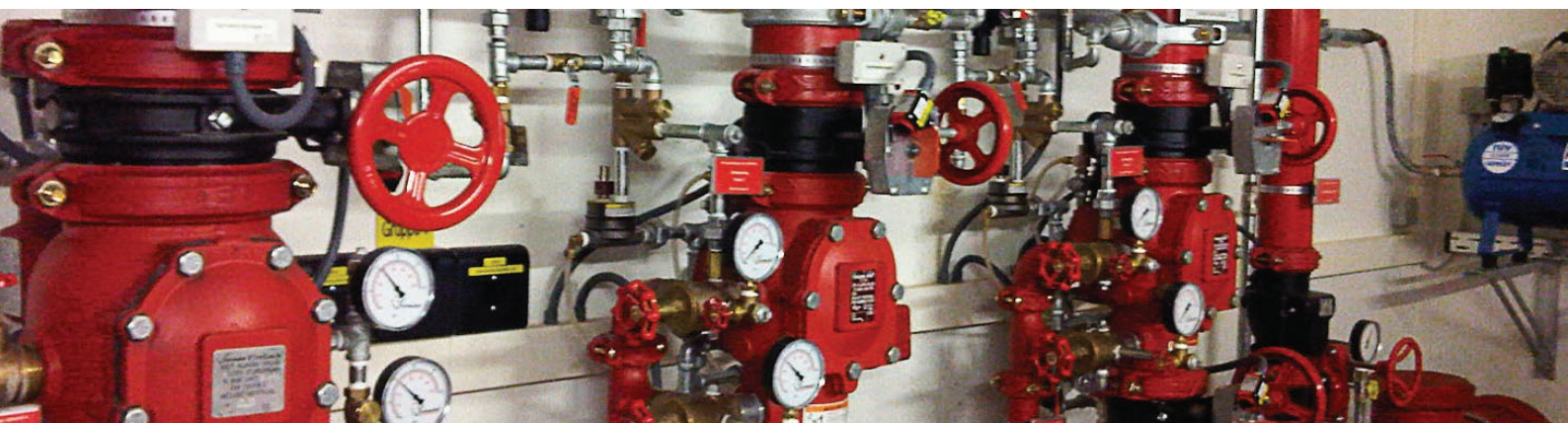
All Victaulic product is to be installed with a Victaulic approved roll-grooved length or cut piece of steel tube. Shawston roll-groove all steel tube in-house and offer a unique leak tightness warranty.

The Victaulic system is designed for roll grooved or cut grooved standard pipe or roll grooved lightweight pipe. Also, pipe end preparation is fast and easy. It can be done on the job site or a workshop with a variety of Victaulic grooving tools.

With the introduction of Victaulic Installation Ready technology, the original groove system has evolved to a new level. Grooved coupling featuring this patented Victaulic technology install ten times faster than other pipe jointing methods.

Built into every FireLock system are innovative features aimed to optimize system design and shorten installation hours. As an example, the FireLock EZ coupling eliminates loose parts which results in faster installation times.

<b>Installation Ready Fittings</b>	Page 6		<b>Valves</b>	Pages 20 - 23	
<b>Couplings</b>	Pages 7 - 10		<b>Sprinkler Heads</b>	Pages 24 - 26	
<b>Flange Adapters</b>	Page 11		<b>VicFlex</b>	Page 27 - 28	
<b>FireLock Fittings</b>	Pages 10 - 18				





## Victaulic Roll Grooved Steel Tube

Our skilled team operate out of our 20,000 sq ft facility in Manchester. Every length of steel tube we sell can be division cut, threaded and roll grooved in-house eliminating the need for any hot works or additional fabrication.

Shawston are unique, we control the quality, cost and lead time, allowing us to be consistent on price and delivery, whilst also being agile to turn around large projects at short notice.

Working closely with Victaulic (mainly on plant rooms, energy centres and general distribution) Shawston can provide a full take off service.

### **If your project has been drawn up with Victaulic, or you can provide drawings, we can offer:**

- Every groove is individually checked at the manufacturing stage using Victaulic equipment for accuracy and peace of mind.
- State-of-the-art Victaulic approved roll grooving machines.
- Weld test points to the pre-cut and grooved pipe.
- Cut length +/- 1mm.
- All Shawston 15nb to 150nb tube is dual certified to EN10255/10217.
- Manufacture low loss headers.
- Manufacture grooved or flanged spool pieces making connections to plant quick and easy.
- A “bag and tag” service. All pipe, Victaulic fittings and couplings are delivered to site clearly labelled with marked up drawings. (Each length of pipe is individually marked up and referenced to the relevant drawing.)

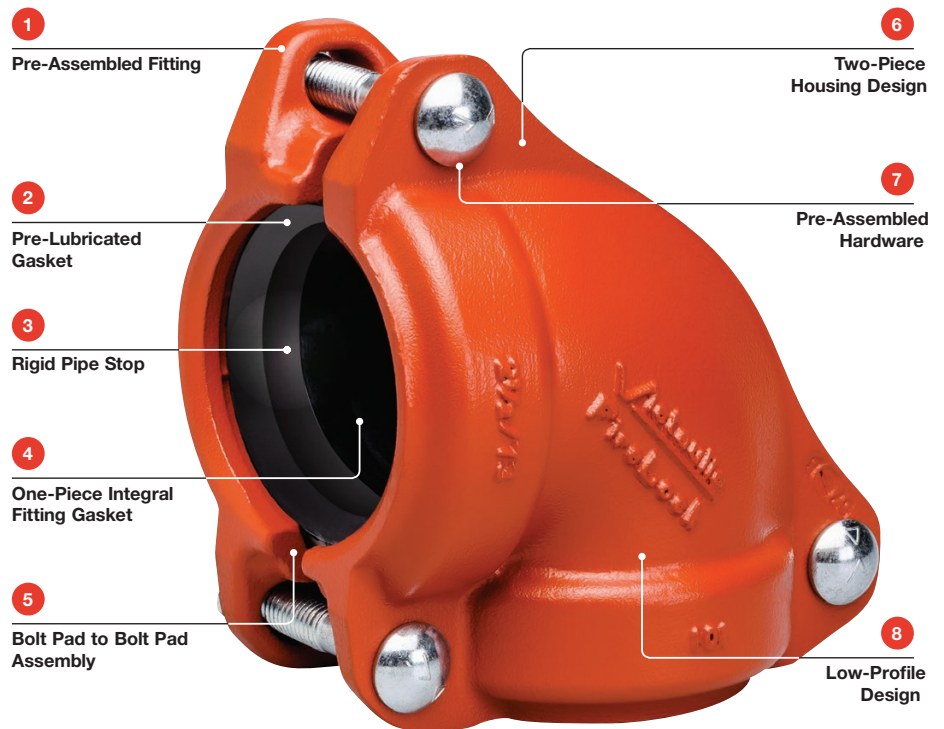


## FireLock Installation Ready Fittings

# INSTALLATION-READY™

Means Fast, Dependable, No-Nonsense Productivity

- Pre-assembled, delivered ready to install
- 1¼ - 2½" | DN32 - DN65
- For services up to 365 psi | 25 bar



- **NO LOOSE PARTS**
- Eliminate the time needed to look for an extra coupling or bolt
- Reduce the number of times up and down the ladder or lift



**15 READY-TO-INSTALL FITTINGS VS 260 LOOSE PARTS**



## FireLock Installation Ready Fittings

### Reduce Installation Time

Installs up to 10 times faster than threading.

- Eliminate the work of pipe wrenches.
- No tape, no dope, no mess.
- Eliminate the set-up and clean-up of the threader.
- No need to change cutting dies.
- No cutting oil.

Up to 4 times faster than traditional couplings and fittings.

- Tee: 22 pieces vs. 1 piece Elbow: 15 pieces vs. 1 piece.
- No need for lubricant.
- Fewer bolts and nuts.
- Once up and down the ladder.
- No disassembly.



### Smaller Takeout Dimensions

Save space - reduce your take-out dimensions.

- Up to 45% shorter take-out than traditional coupling/fitting assembly.
- Fits in tighter ceiling spaces.
- One-piece leaves a free hand.

### Avoid The Cost of Internal Galvanised Fittings

- No wetted metal eliminates corrosion.
- No need for galvanised fittings to address internal corrosion.

### Built in "Wrench Feel"

Same "wrench feel" as the Style 009N and Style 005 couplings to assist in proper assembly with hand or power tool.

- Visual inspection ensures correct bolt pad to bolt pad assembly.
- Minimise installation effort.



## Installation Ready Fittings

**FireLock Installation Ready 90° Elbows, Style 101 - Red**



CODE	Size (mm)
VIRFR90ELB032	32
VIRFR90ELB040	40
VIRFR90ELB050	50
VIRFR90ELB065	65

- **Sizes From DN32 to DN65/ 1 1/4" - 2 1/2"**
- **Pressures up to 356psi/25 BAR**



FM Approved, cULus, VdS and LPCB Listed for fire systems.

**FireLock Installation Ready Tees, Style 102 - Red**



CODE	Size (mm)
VIRFRT032	32
VIRFRT040	40
VIRFRT050	50
VIRFRT065	65

- **Sizes From DN32 to DN65/ 1 1/4" - 3"**
- **Pressures up to 356psi/25 BAR**



FM Approved, cULus, VdS and LPCB Listed for fire systems.

**FireLock Installation Ready 45° Elbows, Style 102 - Red**



CODE	Size (mm)
VIRFR45E032	32
VIRFR45E040	40
VIRFR45E050	50
VIRFR45E065	65

- **Sizes From DN32 to DN65/ 1 1/4" - 3"**
- **Pressures up to 356psi/25 BAR**



FM Approved, cULus, VdS and LPCB Listed for fire systems.

**FireLock Installation Ready, Style 143, Grooved Nipple**



CODE	Size (mm)
VIRFNIP032	32
VIRFNIP040	40
VIRFNIP050	50
VIRFNIP065	65

- **Sizes From DN32 to DN65/ 1 1/4" - 3"**
- **Pressures up to 356psi/25 BAR**



FM Approved, cULus, VdS and LPCB Listed for fire systems.

# Couplings

## FireLock EZ Rigid Couplings, Style 009N - Red



## FireLock EZ Rigid Couplings, Style 009N - Galvanised



## FireLock Rigid Couplings, Style 005 - Red



CODE	Size (mm)
V009R032	32
V009R040	40
V009R050	50
V009R065	65
V009R080	80
V009R100	100
V009R150	150

- Sizes from DN32- DN150/1 ¼ - 6”
- Pressures up to 365psi/2517kPa



FM Approved, cULus, VdS and LPCB Listed for fire systems.

CODE	Size (mm)
V009G032	32
V009G040	40
V009G050	50
V009G065	65
V009G080	80
V009G100	100
V009G150	150

- Sizes from DN32- DN150/1 ¼ - 6”
- Pressures up to 365psi/2517kPa



FM Approved, cULus, VdS and LPCB Listed for fire systems.

CODE	Size (mm)
VFIRER032	32
VFIRER040	40
VFIRER050	50
VFIRER065	65
VFIRER080	80
VFIRER100	100
VFIRER125	125
VFIRER150	150
VFIRER168	150 (168.3)
VFIRER200	200

- Sizes from DN32- DN200/1 ¼ - 8”
- Pressures up to 350psi/2410kPa



FM Approved, cULus, VdS and LPCB Listed for fire systems.

## Couplings

### FireLock Rigid Couplings, Style 005 - Galvanised



CODE	Size (mm)
VFIREG032	32
VFIREG040	40
VFIREG050	50
VFIREG065	65
VFIREG080	80
VFIREG100	100
VFIREG125	125
VFIREG150	150
VFIREG168	150 (168.3)
VFIREG200	200

- Sizes from DN32-  
DN200/1 1/4 - 8"
- Pressures up to  
350psi/2410kPa



FM Approved, cULus, VdS and LPCB Listed  
for fire systems.

### Zero-Flex Rigid Couplings, Style 07 - Orange



CODE	Size (mm)
V07R025	25
V07R032	32
V07R040	40
V07R050	50
V07R065	65
V07R080	80
V07R100	100
V07R125	125
V07R150	150
V07R168	150 (168.3)
V07R200	200
V07R250	250
V07R300	300

- Sizes from DN25 -  
DN300/1-12"
- Pressures up to  
750psi/5171kPa/52bar



FM Approved, cULus, VdS and LPCB Listed  
for fire systems.

### Zero-Flex Rigid Couplings, Style 07 - Galvanised



CODE	Size (mm)
V07G025	25
V07G032	32
V07G040	40
V07G050	50
V07G065	65
V07G080	80
V07G100	100
V07G125	125
V07G150	150
V07G168	150 (168.3)
V07G200	200
V07G250	250
V07G300	300

- Sizes from DN25 -  
DN300/1-12"
- Pressures up to  
750psi/5171kPa/52bar



FM Approved, cULus, VdS and LPCB Listed  
for fire systems.



# Couplings

## Flexible Couplings, Style 75 - Orange



## Flexible Couplings, Style 75 - Galvanised



## Flexible Couplings, Style 77 - Orange



CODE	Size (mm)
V75R025	25
V75R032	32
V75R040	40
V75R050	50
V75R065	65
V75R080	80
V75R100	100
V75R125	125
V75R150	150
V75R168	150 (168.3)
V75R200	200

CODE	Size (mm)
V75G025	25
V75G032	32
V75G040	40
V75G050	50
V75G065	65
V75G080	80
V75G100	100
V75G125	125
V75G150	150
V75G168	150 (168.3)
V75G200	200

CODE	Size (mm)
V77R020	20
V77R025	25
V77R032	32
V77R040	40
V77R050	50
V77R065	65
V77R080	80
V77R100	100
V77R125	125
V77R150	150
V77R168	150 (168.3)
V77R200	200
V77R250	250
V77R300	300

- Sizes from DN25 - DN200/1-8"
- Pressures up to 500psi/3447kPa/34bar

- Sizes from DN25 - DN200/1-8"
- Pressures up to 500psi/3447kPa/34bar

- Sizes from DN20 - DN600/3/4-24"
- Pressures up to 1000psi/6895kPa/69bar



FM Approved, TP, UL, ULC, VDS and LPCB Listed for fire systems.



FM Approved, TP, UL, ULC, VDS and LPCB Listed for fire systems.



FM Approved, cULus, VdS and LPCB Listed for fire systems.

## Couplings

### Flexible Couplings, Style 77 - Galvanised



CODE	Size (mm)
V77G020	20
V77G025	25
V77G032	32
V77G040	40
V77G050	50
V77G065	65
V77G080	80
V77G100	100
V77G125	125
V77G150	150
V77G168	150 (168.3)
V77G200	200
V77G250	250
V77G300	300

- Sizes from DN20 - DN600/3/4-24"
- Pressures up to 1000psi/6895kPa/69bar



FM Approved, cULus, VdS and LPCB Listed for fire systems.

### Reducing Couplings, Style 750 - Red



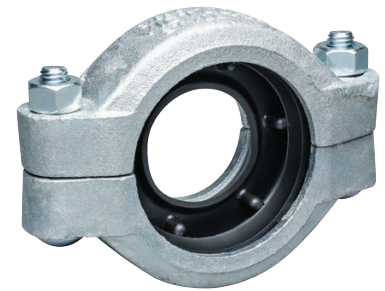
CODE	Size (mm)
V750R050X025	50 x 25
V750R050X040	50 x 40
V750R065X050	65 x 50
V750R080X050	80 x 50
V750R080X065	80 x 65
V750R100X050	100 x 50
V750R100X065	100 x 65
V750R100X080	100 x 80
V750R150X100	150 x 100
V750R200X150	200 x 150

- Sizes from DN50 - DN250/2-10"
- Pressures up to 500psi/3447kPa/34bar



FM Approved, cULus, VdS and LPCB 104f/01 Listed for fire systems.

### Reducing Couplings, Style 750 - Galvanised



CODE	Size (mm)
V750G050X025	50 x 25
V750G050X040	50 x 40
V750G065X050	65 x 50
V750G080X050	80 x 50
V750G080X065	80 x 65
V750G100X050	100 x 50
V750G100X065	100 x 65
V750G100X080	100 x 80
V750G150X100	150 x 100
V750G200X150	200 x 150

- Sizes from DN50 - DN250/2-10"
- Pressures up to 500psi/3447kPa/34bar



FM Approved, cULus, VdS and LPCB 104f/01 Listed for fire systems.

## Flange Adapters

### Flange Adapters Style 741 - Black



### Flange Adapters Style 741 - Galvanised



CODE	Size (mm)
V741R050	50
V741R065	65
V741R080	80
V741R100	100
V741R125	125
V741R150	150
V741R168	150 (168.3)
V741R200	200
V741R250	250
V741R300	300

CODE	Size (mm)
V741G050	50
V741G065	65
V741G080	80
V741G100	100
V741G125	125
V741G150	150
V741G168	150 (168.3)
V741G200	200
V741G250	250
V741G300	300

- Sizes from DN50 - DN600/2 - 24"
- Pressures up to 300psi/2068kPa/21bar

- Sizes from DN50 - DN600/2 - 24"
- Pressures up to 300psi/2068kPa/21bar



FM Approved, UL, ULC, VDS and LPCB Listed for fire systems.



FM Approved, UL, ULC, VDS and LPCB Listed for fire systems.



## FireLock Fittings

### FireLock 90° Elbows No.001 - Red



CODE	Size (mm)
VFIRER90E50	50
VFIRER90E65	65
VFIRER90E80	80
VFIRER90E100	100
VFIRER90E125	125
VFIRER90E150	150
VFIRER90E200	200

### FireLock 90° Elbows No.001 - Galvanised



CODE	Size (mm)
VFIREG90E50	50
VFIREG90E65	65
VFIREG90E80	80
VFIREG90E100	100
VFIREG90E125	125
VFIREG90E150	150
VFIREG90E200	200

### FireLock Tees No.002 - Red



CODE	Size (mm)
VFIRERT50	50
VFIRERT65	65
VFIRERT80	80
VFIRERT100	100
VFIRERT125	125
VFIRERT150	150
VFIRERT200	200

### FireLock Tees No.002 - Galvanised



- Sizes from DN50 - DN200/2 - 8"
- Pressure rating Styles 005 & 009N Couplings



FM Approved, TP, cULus, VDS and LPCB  
Listed for fire systems.

CODE	Size (mm)
VFIREGT50	50
VFIREGT65	65
VFIREGT80	80
VFIREGT100	100
VFIREGT125	125
VFIREGT150	150
VFIREGT200	200

# Fittings

## No.10 90° Elbows - Red/Orange



## No.10 90° Elbows - Galvanised



## No.11 45° Elbows - Orange



CODE	Size (mm)
VE90R020	20
VE90R025	25
VE90R032	32
VE90R040	40
VE90R050	50
VE90R065	65
VE90R080	80
VE90R100	100
VE90R125	125
VE90R150	150
VE90R168	168
VE90R200	200
VE90R250	250
VE90R300	300

CODE	Size (mm)
VE90G020	20
VE90G025	25
VE90G032	32
VE90G040	40
VE90G050	50
VE90G065	65
VE90G080	80
VE90G100	100
VE90G125	125
VE90G150	150
VE90G168	150 (168.3)
VE90G200	200
VE90G250	250
VE90G300	300

CODE	Size (mm)
VE45R020	20
VE45R025	25
VE45R032	32
VE45R040	40
VE45R050	50
VE45R065	65
VE45R080	80
VE45R100	100
VE45R125	125
VE45R150	150
VE45R168	150 (168.3)
VE45R200	200
VE45R250	250
VE45R300	300

- Sizes from DN20 - DN600<sup>3</sup>/<sub>4</sub> - 24"
- Standard fitting pressure ratings as rating of installed coupling

- Sizes from DN20 - DN600<sup>3</sup>/<sub>4</sub> - 24"
- Standard fitting pressure ratings as rating of installed coupling

- Sizes from DN20 - DN600<sup>3</sup>/<sub>4</sub> - 24"
- Standard fitting pressure ratings as rating of installed coupling



FM Approved, VDS and LPCB Listed for fire systems.



FM Approved, VDS and LPCB Listed for fire systems.



FM Approved, VDS and LPCB Listed for fire systems.

# Fittings

## No.11 45° Elbows - Galvanised



CODE	Size (mm)
VE45G020	20
VE45G025	25
VE45G032	32
VE45G040	40
VE45G050	50
VE45G065	65
VE45G080	80
VE45G100	100
VE45G125	125
VE45G150	150
VE45G168	150 (168.3)
VE45G200	200
VE45G250	250
VE45G300	300

- Sizes from DN20 - DN600/¾ - 24"
- Standard fitting pressure ratings as rating of installed coupling



FM Approved, VDS and LPCB Listed for fire systems.

## No.12 22 ½° Elbows - Orange



CODE	Size (mm)
VE22R050	50
VE22R065	65
VE22R080	80
VE22R100	100
VE22R125	125
VE22R150	150
VE22R200	200

- Sizes from DN20 - DN600/¾ - 24"
- Standard fitting pressure ratings as rating of installed coupling



FM Approved and LPCB Listed for fire systems.

## No.12 22 ½° Elbows - Galvanised



CODE	Size (mm)
VE22G050	50
VE22G065	65
VE22G080	80
VE22G100	100
VE22G125	125
VE22G150	150 (168.3)
VE22G200	200

- Sizes from DN20 - DN600/¾ - 24"
- Standard fitting pressure ratings as rating of installed coupling



FM Approved and LPCB Listed for fire systems.



# Fittings

## No.13 1 1/4° Elbows - Orange



## No.13 1 1/4° Elbows - Galvanised



## No.20 Tees - Orange



CODE	Size (mm)
VE11R050	50
VE11R065	65
VE11R080	80
VE11R100	100
VE11R125	125
VE11R150	150 (165.1)
VE11R200	200

CODE	Size (mm)
VE11G050	50
VE11G065	65
VE11G080	80
VE11G100	100
VE11G125	125
VE11G150	150 (165.1)
VE11G200	200

CODE	Size (mm)
VTR020	20
VTR025	25
VTR032	32
VTR040	40
VTR050	50
VTR065	65
VTR080	80
VTR100	100
VTR0125	125
VTR0150	150
VTR0200	200
VTR0250	250
VTR0300	300

- Sizes from DN20 - DN600/3/4 - 24"
- Standard fitting pressure ratings as rating of installed coupling

- Sizes from DN20 - DN600/3/4 - 24"
- Standard fitting pressure ratings as rating of installed coupling

- Sizes from DN20 - DN600/3/4 - 24"
- Standard fitting pressure ratings as rating of installed coupling



FM Approved and LPCB Listed for fire systems.



FM Approved and LPCB Listed for fire systems.



FM Approved, VdS and LPCB Listed for fire systems.

## Fittings

### No.20 Tees - Galvanised



### No.25 Reducing Tees - Orange



### No.25 Reducing Tees - Galvanised



CODE	Size (mm)
VTG020	20
VTG025	25
VTG032	32
VTG040	40
VTG050	50
VTG065	65
VTG080	80
VTG100	100
VTG125	125
VTG150	150
VTG200	200
VTG250	250
VTG300	300

CODE	Size (mm)
VTR065X050	65 x 65 x 50
VTR080X050	80 x 80 x 50
VTR080X065	80 x 80 x 65
VTR100x025	100 x 100 x 25
VTR100X050	100 x 100 x 50
VTR100X065	100 x 100 x 65
VTR100X080	100 x 100 x 80
VTR125X065	125 x 125 x 65
VTR125X080	125 x 125 x 80
VTR125X100	125 x 125 x 100
VTR150X050	150 x 150 x 50
VTR150X065	150 x 150 x 65
VTR150X080	150 x 150 x 80
VTR150X100	150 x 150 x 100
VTR200X065	200 x 200 x 65
VTR200X080	200 x 200 x 80
VTR200X100	200 x 200 x 100
VTR200x125	200 x 200 x 125
VTR200X150	200 x 200 x 150

CODE	Size (mm)
VTG065X050	65 x 65 x 50
VTG080X050	80 x 80 x 50
VTG080X065	80 x 80 x 65
VTG100X050	100 x 100 x 50
VTG100X065	100 x 100 x 65
VTG100X080	100 x 100 x 80
VTG125X065	125 x 125 x 65
VTG125X080	125 x 125 x 80
VTG125X100	125 x 125 x 100
VTG150X050	150 x 150 x 50
VTG150X065	150 x 150 x 65
VTG150X080	150 x 150 x 80
VTG150X100	150 x 150 x 100
VTG200X065	200 x 200 x 65
VTG200X080	200 x 200 x 80
VTG200X100	200 x 200 x 100
VTG200X150	200 x 200 x 150

- Sizes from DN20 - DN600<sup>3</sup>/<sub>4</sub> - 24"

- Standard fitting pressure ratings as rating of installed coupling



FM Approved, VdS and LPCB Listed for fire systems.

- Sizes from DN20 - DN600<sup>3</sup>/<sub>4</sub> - 24"
- Standard fitting pressure ratings as rating of installed coupling

- Sizes from DN20 - DN600<sup>3</sup>/<sub>4</sub> - 24"
- Standard fitting pressure ratings as rating of installed coupling



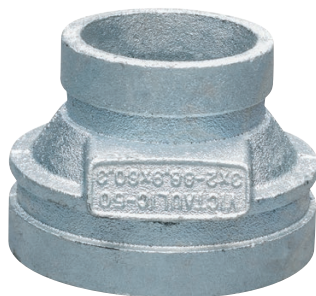
FM Approved and LPCB Listed for fire systems.

# Fittings

## No.50 Concentric Reducers - Red/Orange



## No.50 Concentric Reducers - Galvanised



## No.60 Caps - Red



CODE	Size (mm)
VCONR050X040	50 x 40
VCONR065X050	65 x 50
VCONR080X050	80 x 50
VCONR080X065	80 x 65
VCONR100X050	100 x 50
VCONR100X065	100 x 65
VCONR100X080	100 x 80
VCONR125X080	125 x 80
VCONR125X100	125 x 100
VCONR150X050	150 x 50
VCONR150X065	150 x 65
VCONR150X080	150 x 80
VCONR150X100	150 x 100 (165 x 114)
VCONR165X125	150 x 125
VCONR200X100	200 x 100
VCONR200X125	200 x 125
VCONR200X150	200 x 150
VCONR300X200	300 x 200

- Sizes from DN20 - DN600/¾ - 24"
- Standard fitting pressure ratings as rating of installed coupling



FM Approved and LPCB Listed for fire systems.

CODE	Size (mm)
VCONG050X040	50 x 40
VCONG065X050	65 x 50
VCONG080X050	80 x 50
VCONG080X065	80 x 65
VCONG100X050	100 x 50
VCONG100X065	100 x 65
VCONG100X080	100 x 80
VCONG125X080	125 x 80
VCONG125X100	125 x 100
VCONG150X050	150 x 50
VCONG150X065	150 x 65
VCONG150X080	150 x 80
VCONG150X100	150 x 100
VCONG165X125	150 x 125
VCONG200X100	200 x 100
VCONG200X125	200 x 125
VCONG200X150	200 x 150

- Sizes from DN20 - DN600/¾ - 24"
- Standard fitting pressure ratings as rating of installed coupling



FM Approved and LPCB Listed for fire systems.

CODE	Size (mm)
VBER025	25
VBER032	32
VBER040	40
VBER050	50
VBER065	65
VBER080	80
VBER100	100
VBER125	125
VBER150	150
VBER200	200
VBER250	250
VBER300	300

- Sizes from DN20 - DN600/¾ - 24"
- Standard fitting pressure rating as rating of installed coupling



FM Approved, VDS and LPCB Listed for fire systems.



## Fittings

### No.60 Caps - Galvanised



CODE	Size (mm)
VBEG025	25
VBEG032	32
VBEG040	40
VBEG050	50
VBEG065	65
VBEG080	80
VBEG100	100
VBEG125	125
VBEG150	150
VBEG200	200
VBEG250	250
VBEG300	300

- Sizes from DN20 - DN600/¾ - 24"
- Standard fitting pressure rating as rating of installed coupling



FM Approved, VDS and LPCB Listed for fire systems.

### No.60 Caps, Tapped BSPT - Red



CODE	Size (mm)
VBETR050X025	50 x 25
VBETR065X025	65 x 25
VBETR065X032	65 x 32
VBETR065X040	65 x 40
VBETR080X032	80 x 32
VBETR080X040	80 x 40
VBETR080X050	80 x 50
VBETR100X032	100 x 32
VBETR100X040	100 x 40
VBETR100X050	100 x 50
VBETR125x050	125 x 50
VBETR150X032	150 x 32
VBETR150X040	150 x 40
VBETR150X050	150 x 50
VBETR200X032	200 x 32
VBETR200X040	200 x 40
VBETR200X050	200 x 50

- Sizes from DN50 - DN200/2 - 82"
- Standard fitting pressure rating as rating of installed coupling



FM Approved, VDS and LPCB Listed for fire systems.

### No.60 Caps, Tapped BSPT - Galvanised



CODE	Size (mm)
VBETG050X032	50 x 32
VBETG050X040	50 x 40
VBETG065X032	65 x 32
VBETG065X040	65 x 40
VBETG065X050	65 x 50
VBETG080X032	80 x 32
VBETG080X040	80 x 40
VBETG080X050	80 x 50
VBETG080X065	80 x 65
VBETG100X032	100 x 32
VBETG100X040	100 x 40
VBETG100X050	100 x 50
VBETG100X065	100 x 65
VBETG100X080	100 x 80
VBETG150X032	150 x 32
VBETG150X040	150 x 40
VBETG150X050	150 x 50
VBETG200X032	200 x 32
VBETG200X040	200 x 40
VBETG200X050	200 x 50

- Sizes from DN50 - DN200/2 - 82"
- Standard fitting pressure rating as rating of installed coupling

## Fittings & Accessories

### No.40 Adapter Nipples Grvd x Thd Male BSPT, Unpainted



CODE	Size (mm)
VNIP040	40 x 101.6
VNIP050	50 x 101.6
VNIP065	65 x 102
VNIP080	80 x 101.6
VNIP100	100 x 152.4
VNIP150	150 (165.1)

- Sizes from DN20 - DN600/3/4 - 24"
- Standard fitting pressure rating as rating of installed coupling



FM Approved and LPCB Listed for fire systems.

### Victaulic Lubricant



CODE	Size
VLUB125	125 GR.
VLUB907	907 GR.

### Victaulic Groove Depth Tape



CODE	Size
VICTAPE	50

# Valves

## FireLock Butterfly Valves, Series 705 - Ductile Iron



## FireLock High Pressure Butterfly Valves, Series 765 - Ductile Iron



## FireLock Check Valves, Series 717 - Ductile Iron



CODE	Size (mm)
V70550	50
V70565	65
V70580	80
V705100	100
V705125	125
V705150	150
V705200	200
V705250	250

CODE	Size (mm)
V76550	50
V76565	65
V76580	80
V765100	100
V765125	125
V765150	150
V765200	200
V765250	250

CODE	Size (mm)
V71765	65
V71780	80
V717100	100
V717150	150
V717200	200

- Sizes from DN50 - DN300/2 - 12"
- Pressures up to 300psi/2068kPa
- Weatherproof actuator housing approved for indoor or outdoor use
- Ductile Iron body and disc with Nitrile seats

- Sizes from DN50 - DN300/2 - 12"
- Pressures up to 365psi/2517kPa
- Weatherproof actuator housing approved for indoor or outdoor use
- Ductile Iron body and disc with Nitrile seats

- Sizes from DN50 DN300/2 - 12"
- Pressures up to 365psi/25bar
- Can be installed in both horizontal or vertical positions



FM Approved, cULus, VdS and LPCB Listed for fire systems.



FM Approved, cULus, VdS and LPCB Listed for fire systems.



FM Approved, cULus, VdS and LPCB Listed for fire systems.



# Valves

## FireLock Ball Valves, Series 728 - Brass



CODE	Size (mm)
V72825	25
V72832	32
V72840	40
V72850	50

- Sizes from DN25 - DN50/1 - 2"
- Pressures up to 365psi/25bar
- Standard port, end entry valve
- Available with grooved or female threaded ends (NPT)



FM Approved, cULus, VdS and LPCB Listed for fire systems.

## FireLock OS & Y Gate Valves, Series 771H - Ductile Iron



CODE	Size (mm)
V771H80	80
V771H100	100
V771H150	150
V771H200	200
V771H250	250

- Sizes from DN65 - DN300/2 1/2 - 12"
- Pressures up to 250psi/1725kPa
- Available Groove x Groove and Groove x Flange
- Features three internal parts, making the valves easy to maintain.
- Used when positive shut-off is required in a fire line and a quick visual indicator of open/closed position is required



FM Approved and cULus Listed for fire systems.

## TestMaster II Alarm Test Modules Series 720 - Bronze



CODE	Size (mm)
V72050X32GRV	50
V92050X25BSP	50

- Sizes DN25 - DN50/ 1 - 2"
- Pressures up to 300psi/2065kPa
- Incorporates the test function and rapid drain function for wet sprinkler systems into a single unit
- Available with either NPT, BSPT female threaded ends or with grooved ends



FM Approved and cULus Listed for fire systems.

# Valves

## FireLock European Alarm Check Valve Stations, Series 751



CODE	Size (mm)
V750065WET	65
V750080WET	80
V750100WET	100

- Sizes DN40 - DN200/ 1 ½ - 8"
- Pressures up to 300psi/2065kPa
- Prevents the reverse flow of water from the system piping to the water supply
- The bypass line allows pressure surges to enter the system without causing false alarms
- Excess pressure pump trim option available upon request



FM Approved, cULus, CE, TP, VdS and LPCB 104f/01 Listed for fire systems.

## FireLock NXT Alternate Wet/Dry System Check Valves, Series 764



CODE	Size (mm)
V764100ALT	100
V764150ALT	150
V764200ALT	200

- Sizes DN40 - DN200/ 1 ½ - 8"
- Pressures up to 300psi/2065kPa
- Valve can be field converted from wet to dry quickly to accommodate changes in temperature
- Includes control valves, pressure switches and drain kit
- Valve pre-trimmed to speed installation



FM Approved, UL, and LPCB Listed for fire systems.

## FireLock NXT Deluge System Check Valves, Series 769



CODE	Size (mm)
V769050PRE	50
V769065PRE	65
V769080PRE	80
V7690100PRE	100

- Sizes DN40 - DN200/ 1 ½ - 8"
- Pressures up to 300psi/2065kPa
- Vic-Quick Riser speeds installation
- Includes control valves, pressure switches and drain kit
- Single set point of 13psi/90kPa of air allows for a smaller compressor and easier set up



FM Approved, cULus, VdS and LPCB 104f/01 Listed for fire systems.

# Valves

## FireLock NXT Dry System Check Valves, Series 768



CODE	Size (mm)
V76805DRY	50
V768065DRY	65
V768080DRY	80
V768100DRY	100
V768200DRY	200

- Sizes DN40 - DN200/ 1 1/2 - 8"
- Pressures up to 300psi/2065kPa
- Vic-Quick Riser speeds installation
- Includes control valves, pressure switches and drain kit
- Single set point of 13psi/90kPa of air allows for a smaller compressor and easier set up

## FireLock Water Motor Alarm, Series 760



CODE	Size (mm)
V760ALARM	20

- Sizes DN20/3/4"



FM Approved, cULus, CE and VdS Listed for fire systems.



FM Approved, cULus, CE, VdS and LPCB 104f/01 Listed for fire systems.

## Sprinkler Heads

### FireLock V2703/V2704 Upright, Standard & Quick Response Heads



- Available in brass, white and chrome finishes. Other finishes on request
- Available to suit temperature ratings of 57, 68, 79, 93, 141 & 182°C
- K Factor 80
- Nominal Thread Size - 15mm
- Max. Working Pressure: 175psi/1200 kPa
- Factory Hydrostatic Test: 100% @ 500 psi/3450 kPa
- Min. Operating Pressure: 7 psi/48 kPa



UL, ULC, VDS and LPCB Listed for fire systems.

### FireLock V2707/V2708 Pendant, Standard & Quick Response Heads



- Available in brass, white and chrome finishes. Other finishes on request
- Available to suit temperature ratings of 57, 68, 79, 93, 141 & 182°C
- K Factor 80
- Nominal Thread Size - 15mm
- Max. Working Pressure: 175psi/1200 kPa
- Factory Hydrostatic Test: 100% @ 500 psi/3450 kPa
- Min. Operating Pressure: 7 psi/48 kPa

V2707



FM Approved, UL, ULC, and LPCB Listed for fire systems.

V2708



FM Approved, UL, and ULC Listed for fire systems.



## Sprinkler Heads

### FireLock V2725/V2726 Conventional, Standard & Quick Response Heads



- Available in brass, white and chrome finishes. Other finishes on request
- Available to suit temperature ratings of 57, 68, 79, 93, 141 & 182°C
- K Factor 80
- Nominal Thread Size - 15mm
- Max. Working Pressure: 175psi/1200 kPa
- Factory Hydrostatic Test: 100% @ 500 psi/3450 kPa
- Min. Operating Pressure: 7 psi/48 kPa



UL, ULC, VDS and LPCB Listed for fire systems.

### FireLock V2727/V2728 Pendant, Standard & Quick Response Heads



- Available in brass, white and chrome finishes. Other finishes on request
- Available to suit temperature ratings of 57, 68, 79, 93, 141 & 182°C
- K Factor 80
- Nominal Thread Size - 15mm
- Max. Working Pressure: 175psi/1200 kPa
- Factory Hydrostatic Test: 100% @ 500 psi/3450 kPa
- Min. Operating Pressure: 7 psi/48 kPa



UL, ULC, VDS and LPCB Listed for fire systems.

## Sprinkler Heads

### FireLock V3801/V3802 Concealed Pendant, Standard & Quick Response Heads



- **K Factor: 5.6 Imp.**
- **Nominal Thread Size: ½” NPT/15mm BSP**
- **Max. Working Pressure: 175psi/1200 kPa**
- **Factory Hydrostatic Test: 100% @ 500 psi/3450 kPa**
- **Min. Operating Pressure: 7 psi/48 kPa**
- **Available to suit commercial and residential.**

V3801



UL, ULC, and LPCB Listed for fire systems.

V3802



FM Approved, UL, ULC, and LPCB Listed for fire systems.

### V38 Concealed Cover Plates



### V27 Flush Type Escutcheons




# VicFlex Sprinkler Fitting System



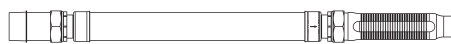
The VicFlex system features easy-to-install brackets, hoses and fittings for a wide variety of sprinkler system applications, including:

- Commercial suspended ceilings
- Commercial metal or wood stud hard lid/drywall ceilings
- Block wall institutional spaces
- Clean room environments
- Industrial duct systems



**VicFlex Braided AH1 Hose**

**VicFlex Braided AH2 Hose**



CODE	Size (mm)
VF79032X15AH1	31/790
VF91432X15AH1	36/915
VF122032X15AH1	48/1220

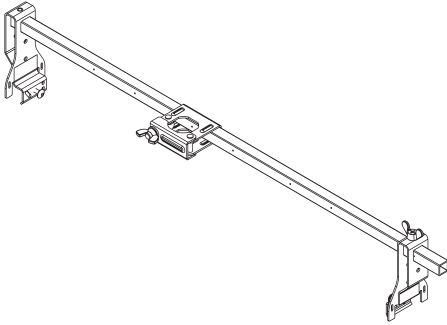
- Braided AH1 Hose only BSPF/ BranchLine Nipple = 32mm

CODE	Size (mm)
VF79032X15	31/790
VF91432X15	36/915
VF122032X15	48/1220

- Braided AH2 Hose only BSPF/ BranchLine Nipple = 32mm

# VicFlex Sprinkler Fitting System

## VicFlex AB1 Bracket Open Gate Subassembly Adjustable

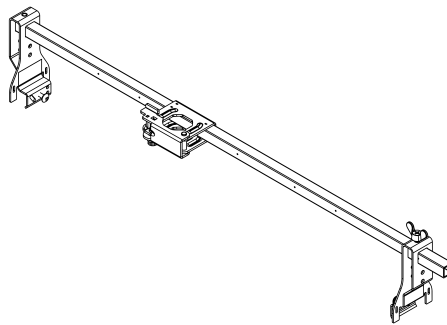


CODE	Size
VFAB1610	24"/610mm
VFAB11220	48"/1220mm



FM Approved, cULus, VdS and LPCB Listed for fire systems.

## VicFlex AB2 Adjustable Bracket Assembly

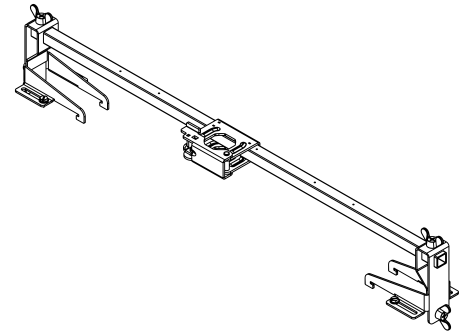


CODE	Size
VFAB2610	24"/610mm



FM Approved, cULus, VdS and LPCB Listed for fire systems.

## VicFlex AB4 Adjustable Hat Channel Bracket

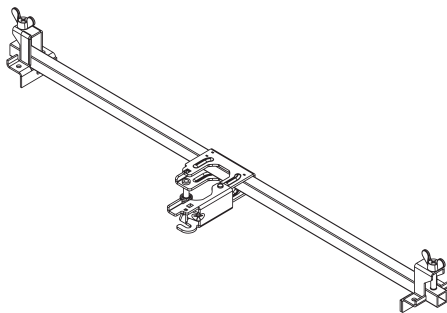


CODE	Size
VFAB4610	24"/610mm



FM Approved, cULus, VdS and LPCB Listed for fire systems.

## VicFlex AB5 Adjustable Bracket Assembly

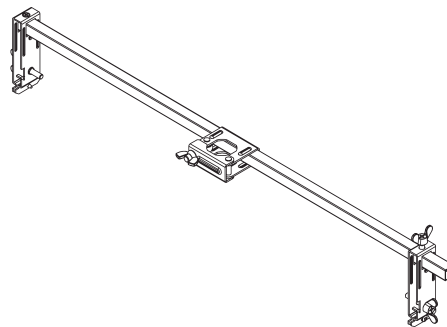


CODE	Size
VFAB51220	48"/1220 mm
VFAB5610	24"/610 mm



FM Approved, cULus, VdS and LPCB Listed for fire systems.

## VicFlex AB7 Adjustable Bracket



CODE	Size (mm)
VFAB7700	700



FM Approved, VdS and LPCB Listed for fire systems.



**OUR DEEP  
KNOWLEDGE COMES  
FROM A BROAD  
BACKGROUND OF  
YEARS OF INDUSTRY  
EXPERIENCE.**



# www.shawston.co.uk

---

Shawston London  
Units G & H,  
Hillbottom Road,  
Sands Industrial Estate,  
High Wycombe,  
Bucks HP12 4HS

Tel: 01494 460 910  
Fax: 01494 522 573  
Email: London@shawston.co.uk

Shawston Birmingham  
Bay 1, Block D,  
The Bescot Estate,  
Woden Road West, Wednesbury  
West Midlands WS10 7SG

Tel: 0121 556 3400  
Fax: 0121 506 4669  
Email: Birmingham@shawston.co.uk

Shawston Manchester  
Great Norbury Street,  
Hyde,  
Cheshire SK14 1BW

Tel: 0161 368 4545  
Fax: 0161 367 8114  
Email: Manchester@shawston.co.uk

Shawston Glasgow  
Block 1 Unit 4,  
Annick Industrial Estate,  
31 Sandilands Street,  
Shettleston,  
Glasgow G32 OHT

Tel: 0141 778 6975  
Fax: 0141 778 6264  
Email: Glasgow@shawston.co.uk

---